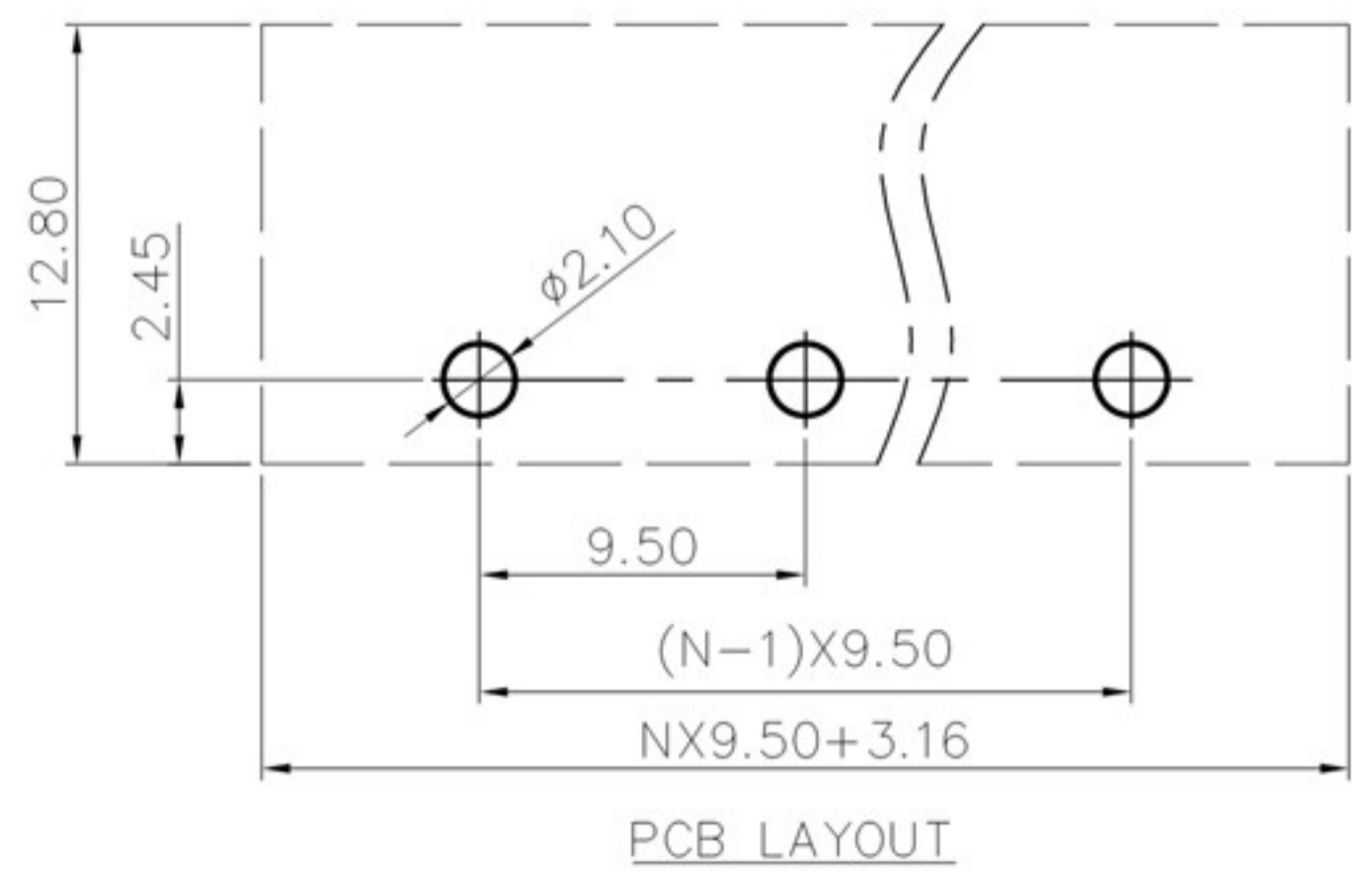
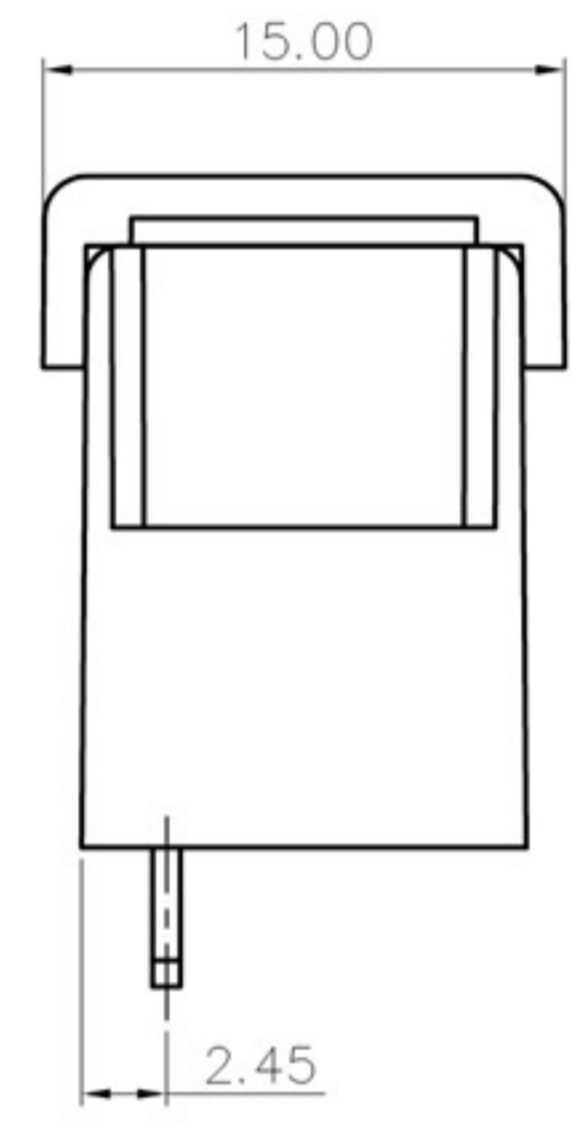
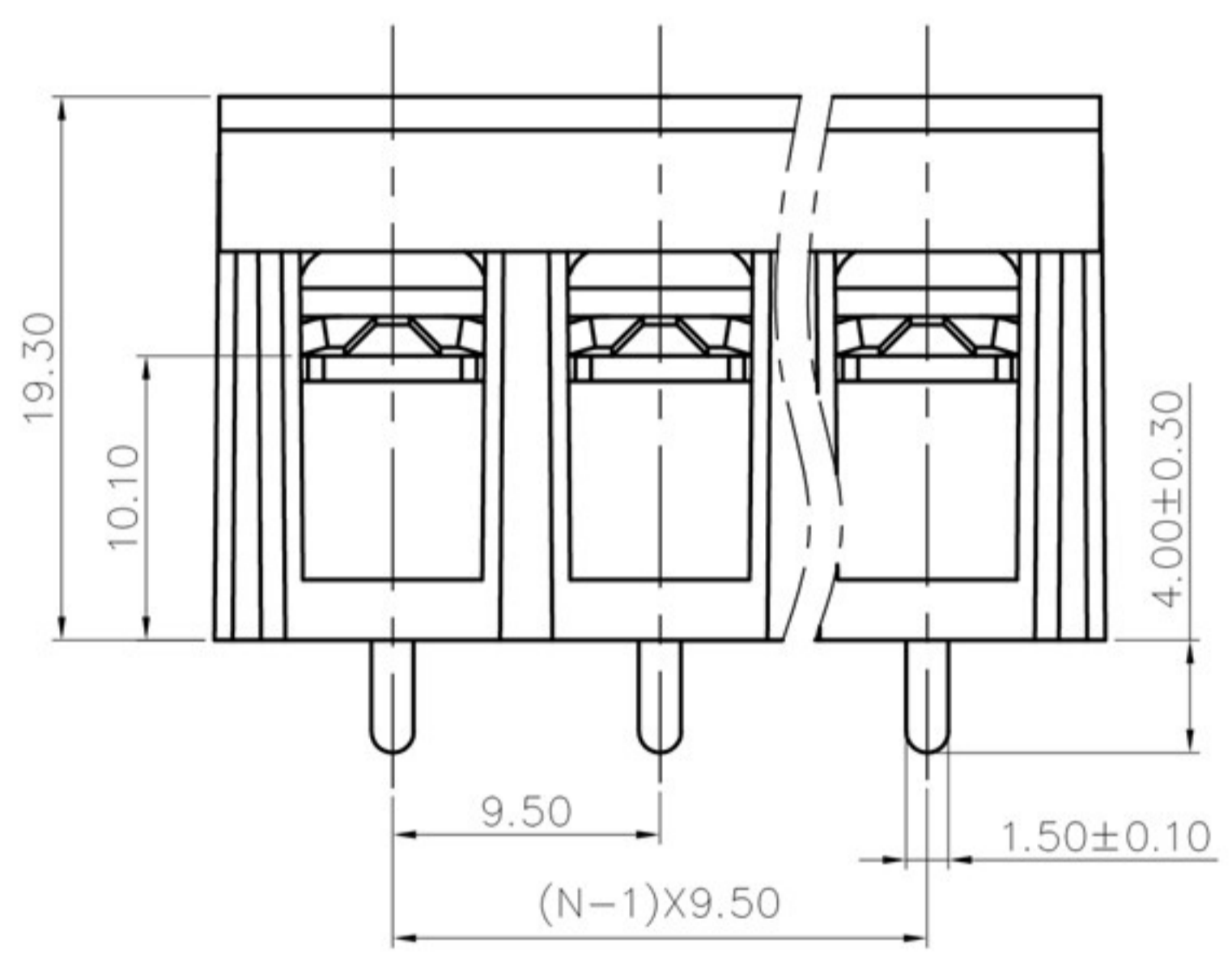
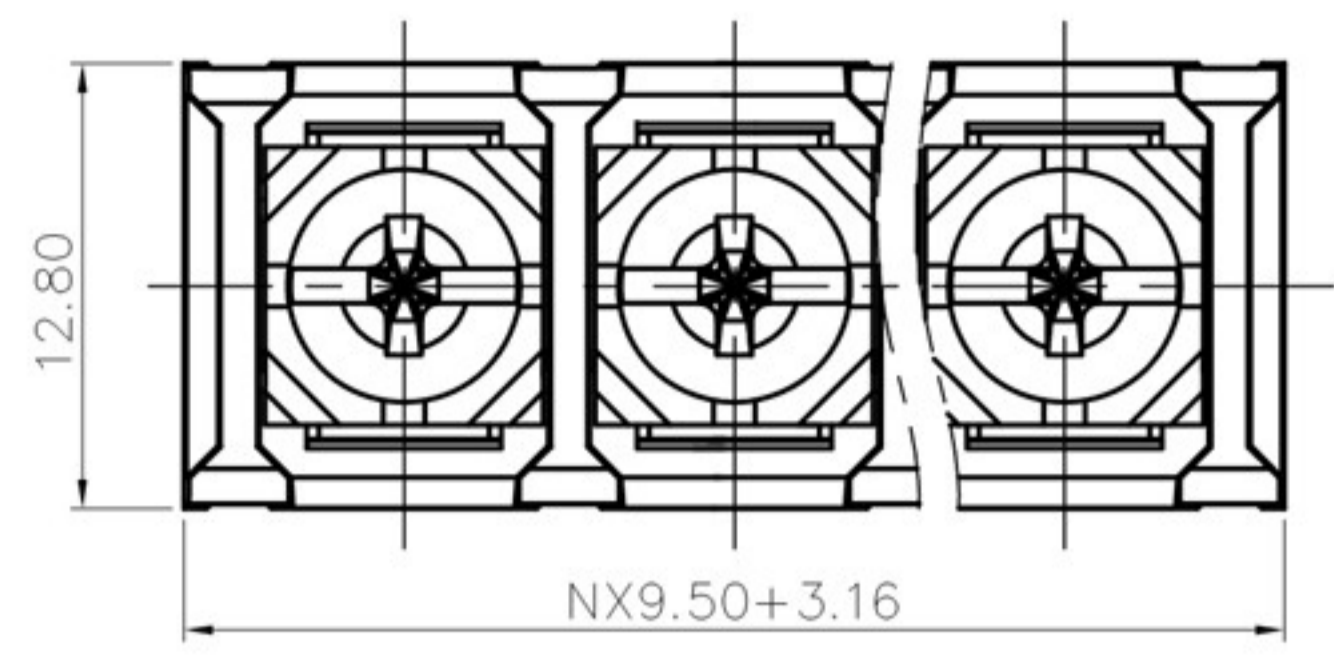


REVISION RECORD				
REV	ECN	DESCRIPTION	DRFT	DATE

(W/O COVER)



NOTES1:
 UL Standard
 1.Rated voltage/current : 300V / 20A
 2.Torque value : M4 , 10.53Lb.in
 3.Wire range : 22~12AWG

NOTES2:
 1.Dimension shall be interpreted per ASME Y14.5-2009
 2.Pitch : 9.50mm, Poles : N=02~22P
 3.Withstanding voltage : AC1600V/1Min
 4.Operating temperature: -40°C~+105°C
 5.Undimensioned tolerances:

Pitch range in mm		Nominal dimension range in mm						-	∩	□
TO	Over	TO	Over	TO	Over	TO	Over	0.1/10		
6	10	10	24	30	60	100	150			
±0.15	±0.20	±0.30	±0.30	±0.50	±0.70	±1.00	±1.30		±2'	

6.RoHS Compliance

DETACHED LISTS	PART NO.:	慈溪市美感电子接插件厂 Cixi Meigan Electric Appliance Socket Factory			
	APPD:	NAME: MG48S-9.5			
	CHKD:	TITLE: CUSTOMER DRAWING			
	DRFT:	REV	DO		
	DRAWING NO.:		SHEET	1/1	
THIRD ANGLE PROJECTION		SCALE	1:1		

