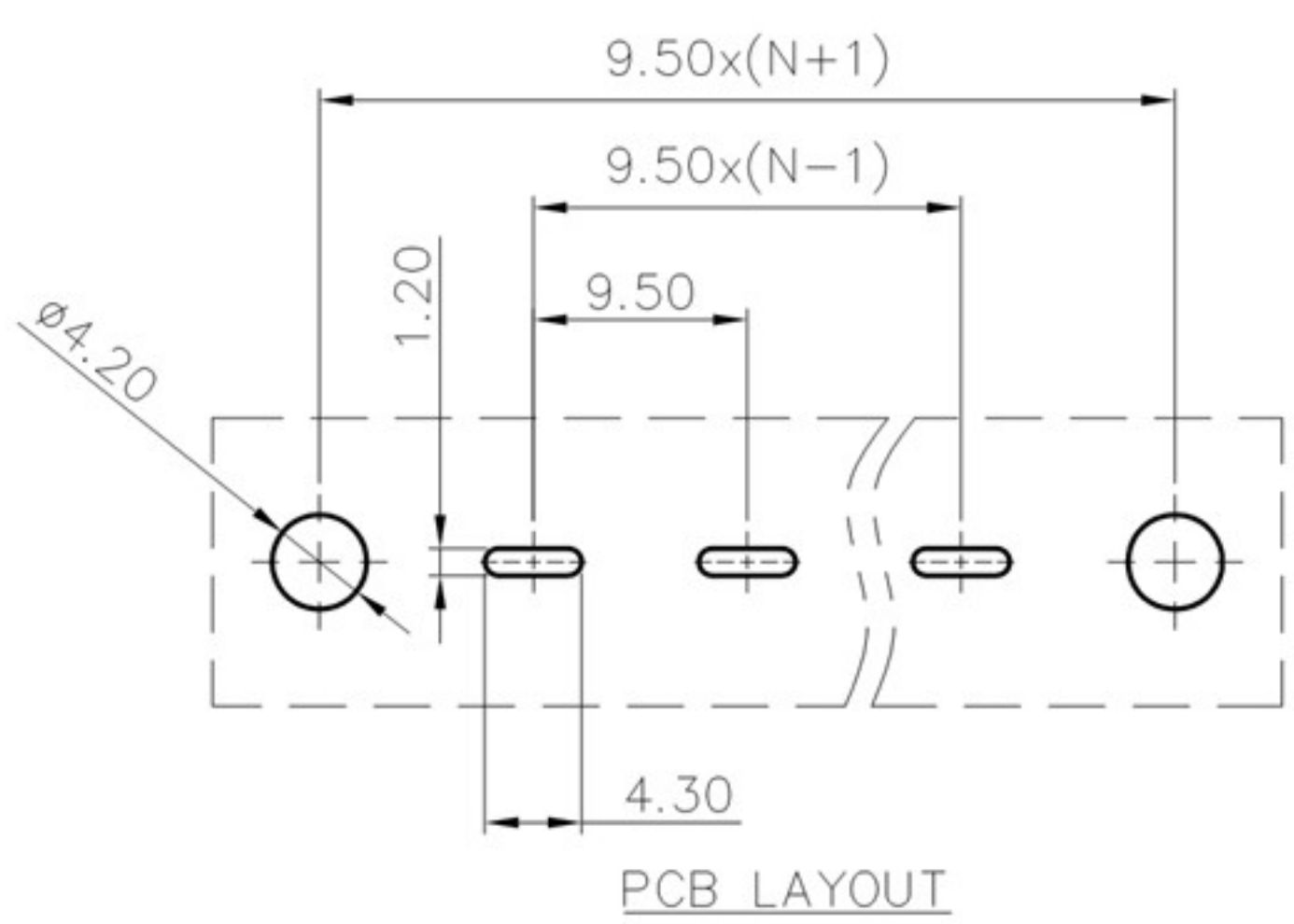
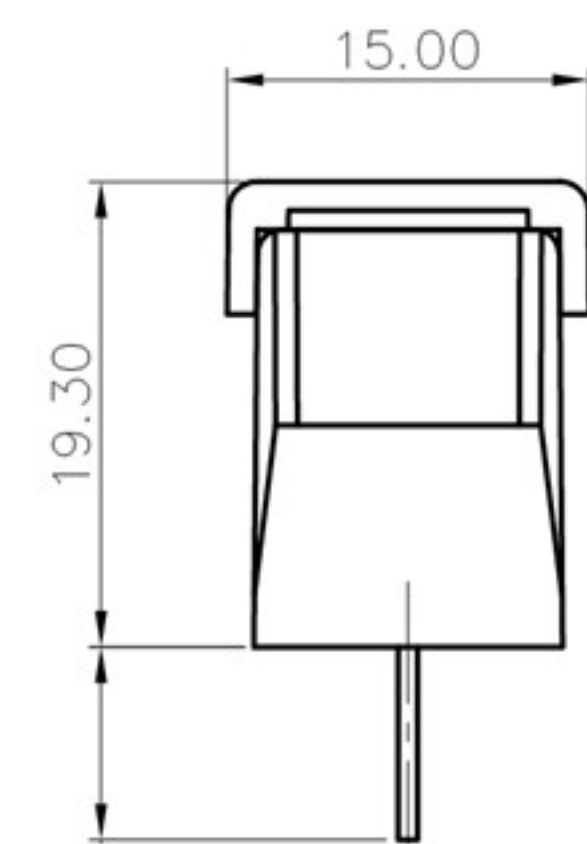
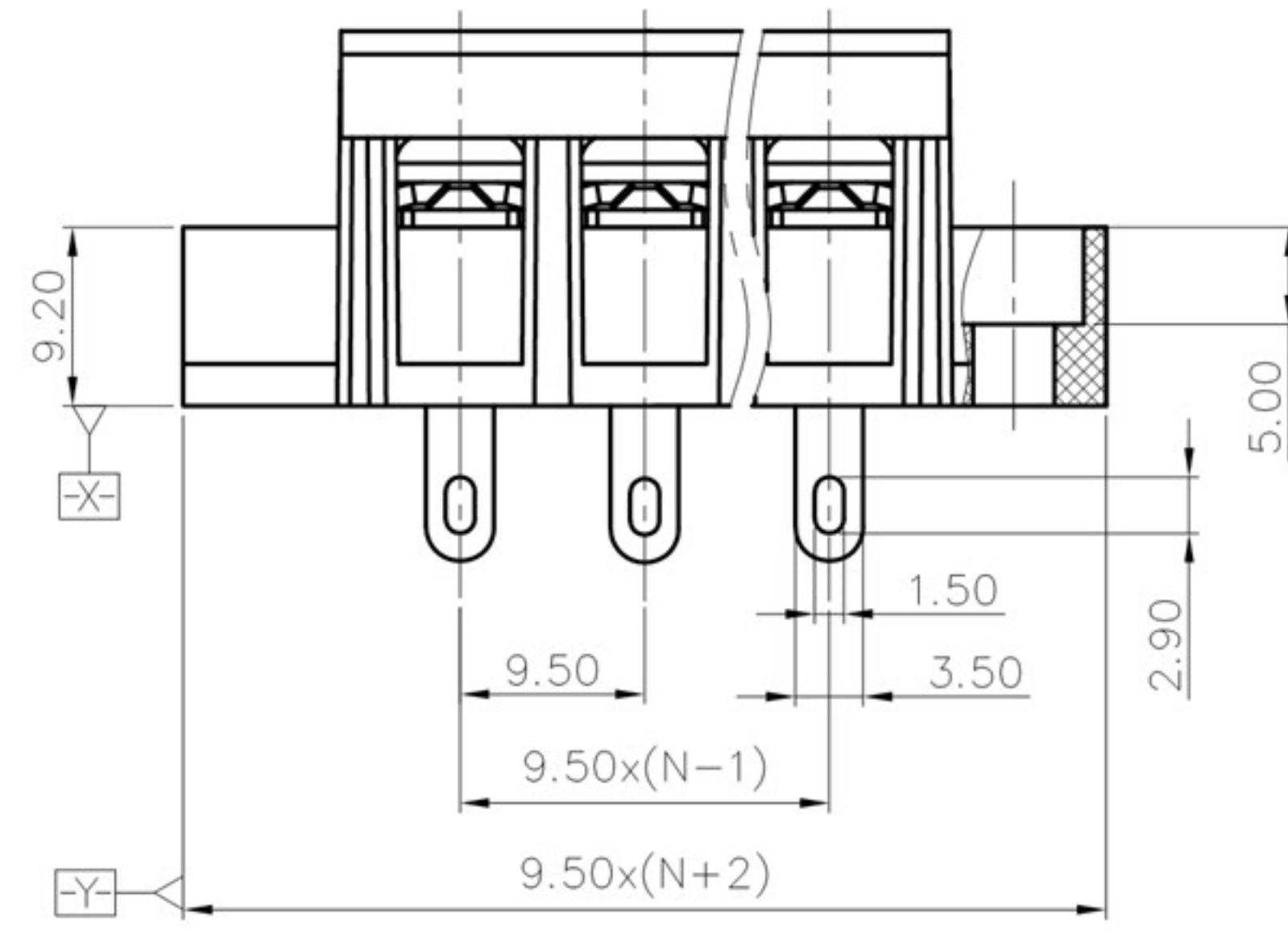
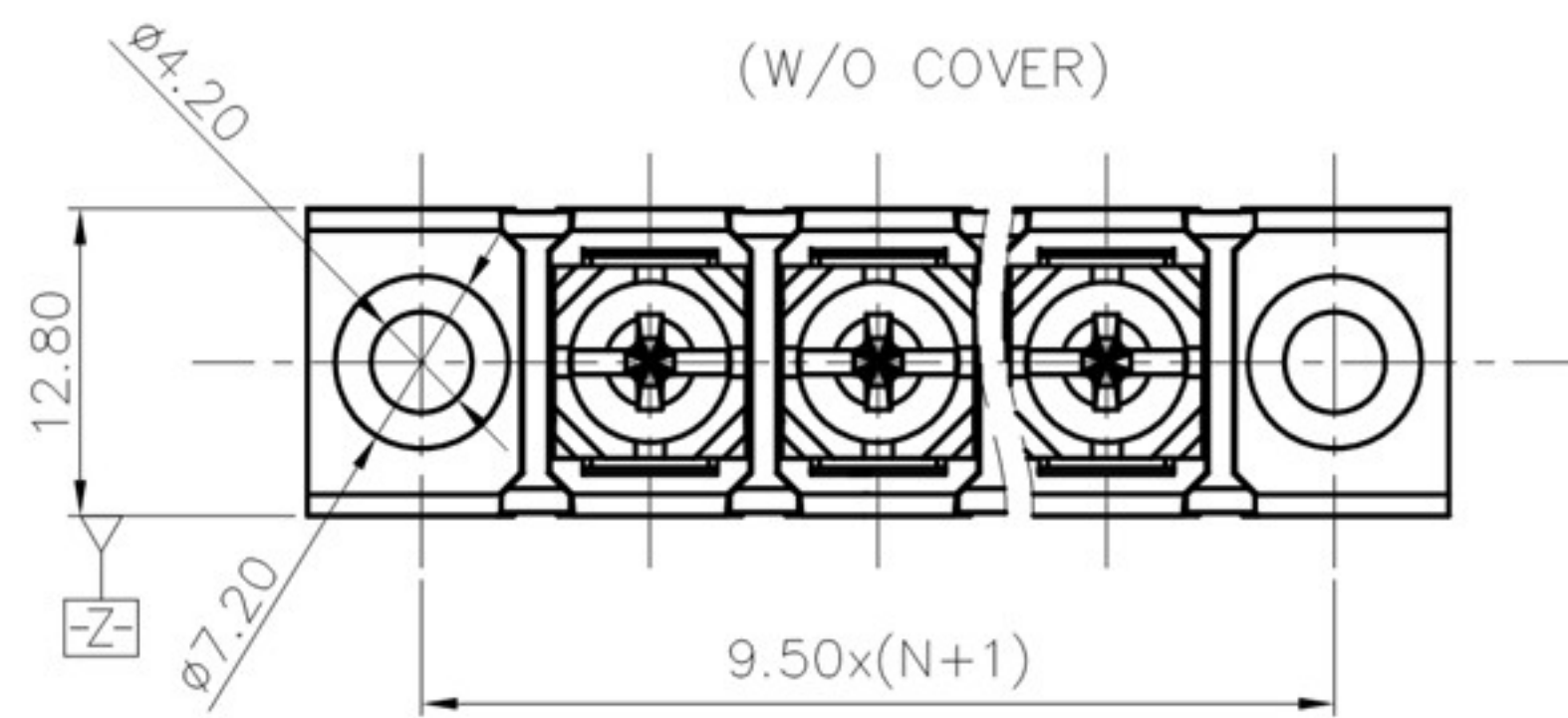


REVISION RECORD				
REV	ECN	DESCRIPTION	DRFT	DATE



NOTES1:
 UL Standard
 1. Rated voltage/current : 300V / 20A
 2. Torque value : M4 , 10.53Lb.in
 3. Wire range : 22~12AWG

NOTES2:
 1. Dimension shall be interpreted per ASME Y14.5-2009
 2. Pitch : 9.5mm, Poles : N=02~20P
 3. Stripping length : 8~9mm
 4. Withstanding voltage : AC1600V/1Min
 5. Operating temperature: -40°C~+105°C
 6. Undimensioned tolerances:

Pitch range in mm		Nominal dimension range in mm					Tolerances	
TO	Over	TO	Over	TO	Over	TO	Over	0.1/10
6	10	10	24	30	60	100	150	<
±0.15	±0.20	±0.30	±0.30	±0.50	±0.70	±1.00	±1.30	±2'

7. RoHS Compliance

DETACHED LISTS	PART NO.:	慈溪市美感电子接插件厂 Cixi Meigan Electric Appliance Socket Factory			
	APPD:	NAME: MG48HM-9.5			
	CHKD:	TITLE: CUSTOMER DRAWING			
	DRFT:	DRAWING NO.:		REV	DO
	THIRD ANGLE PROJECTION		MM (INCH)	DO NOT SCALE DRAWING	SHEET 1/1
			SCALE	1:1	