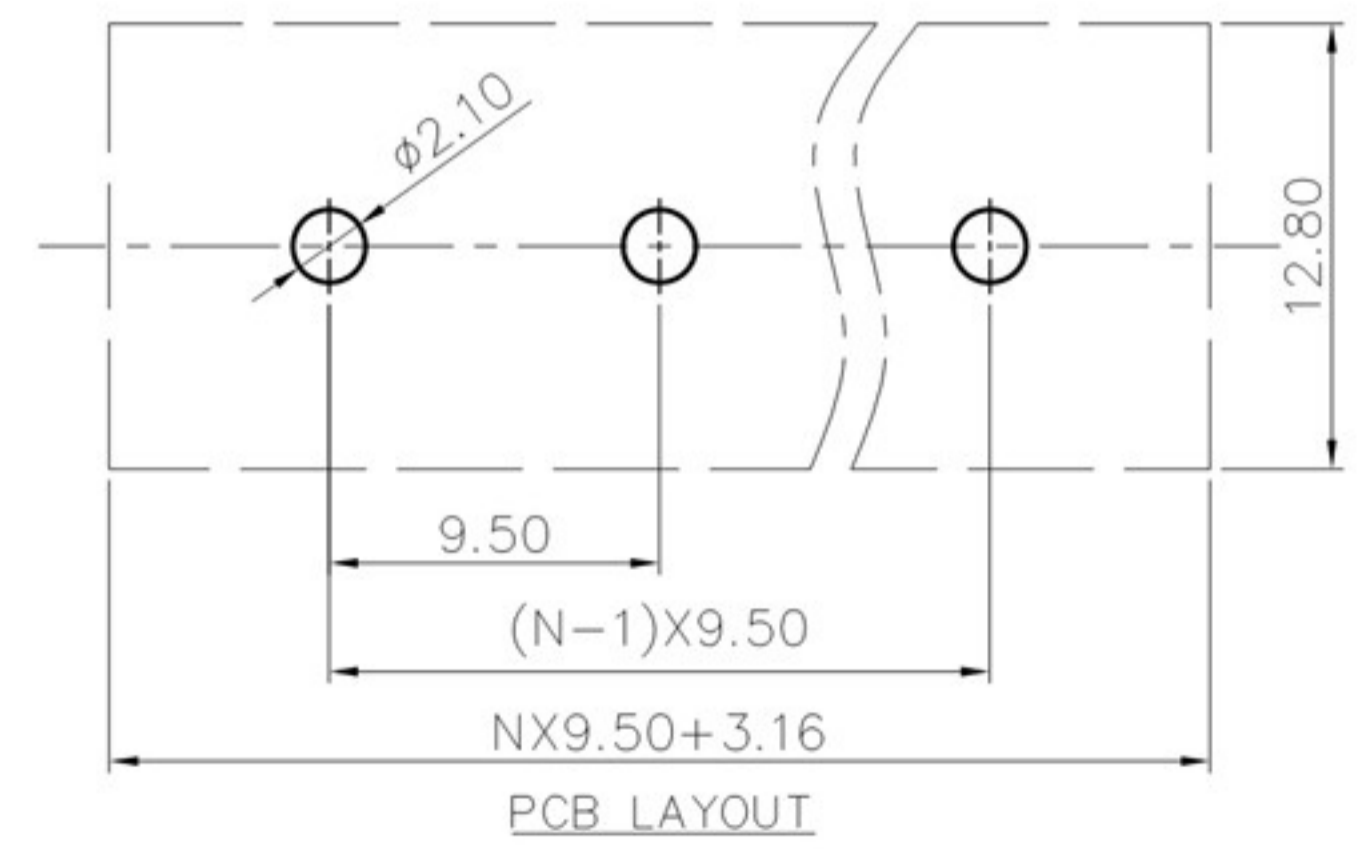
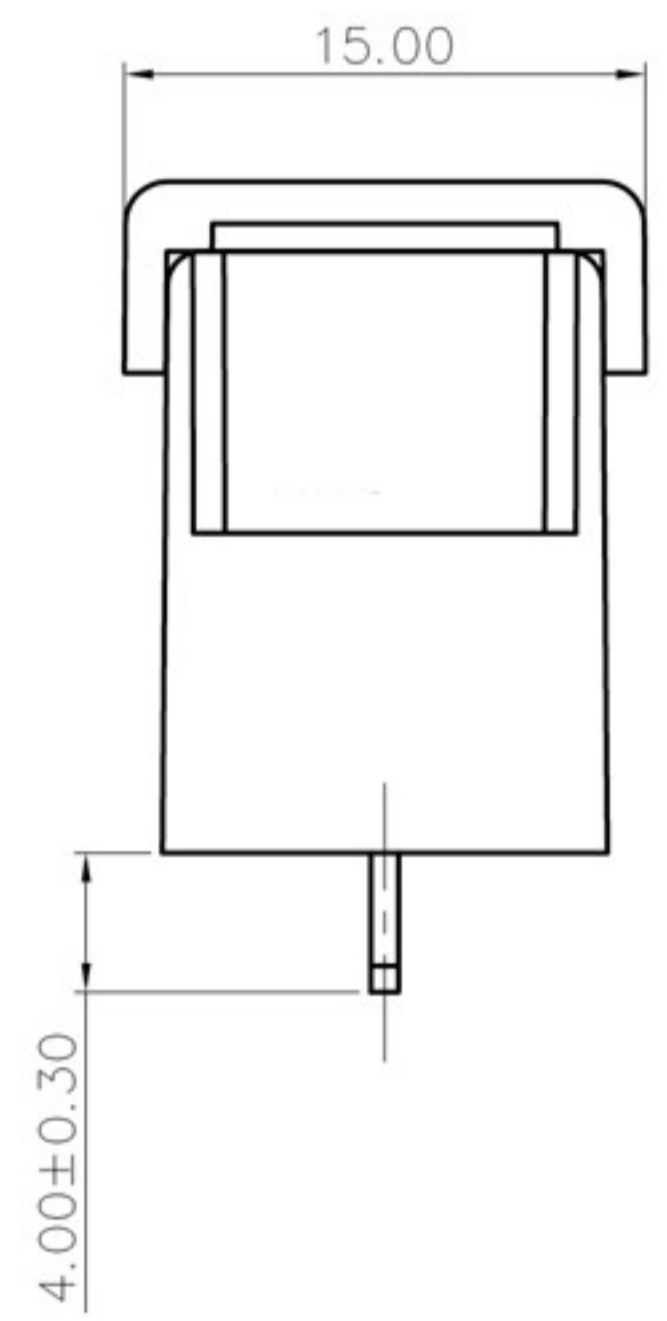
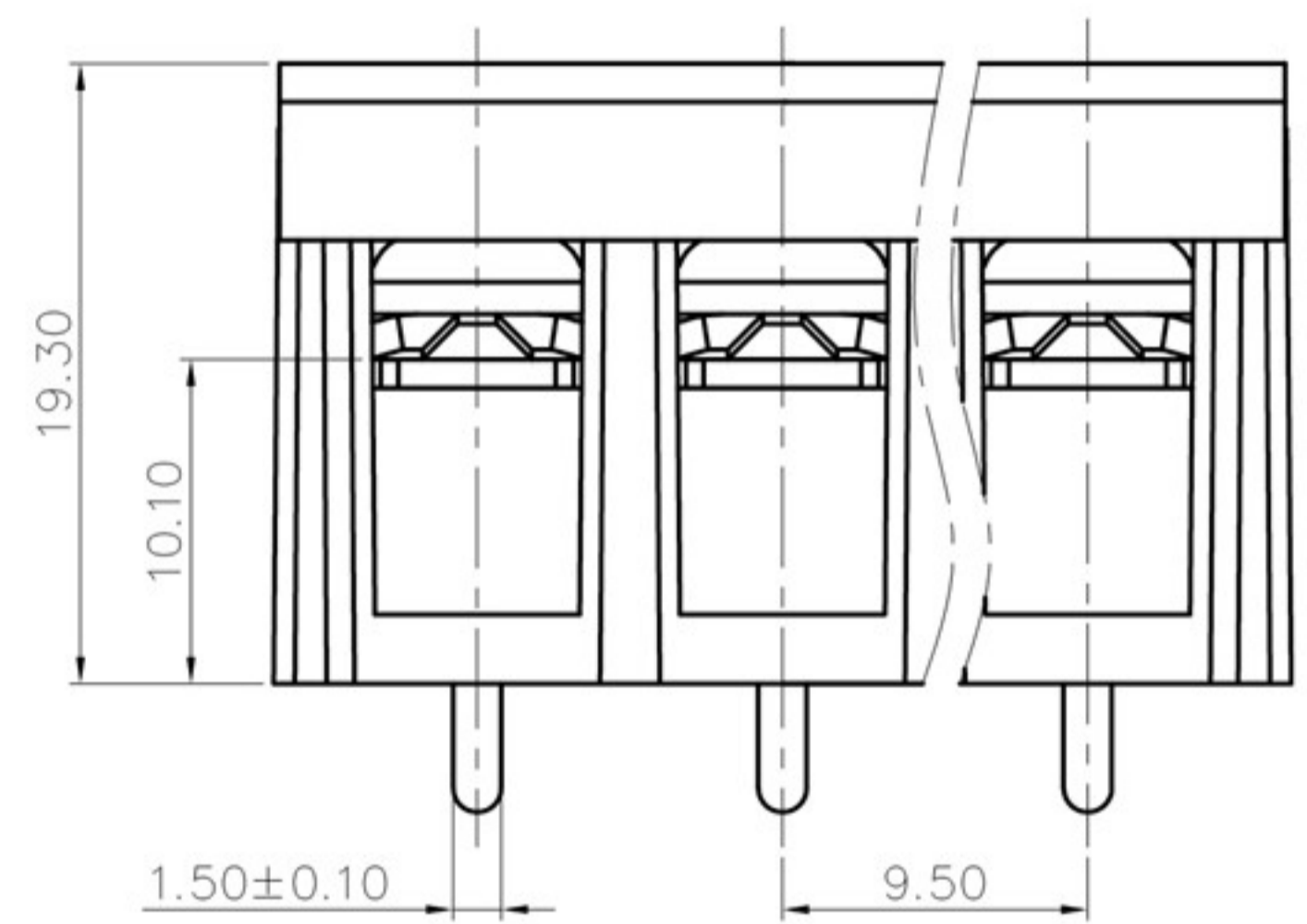
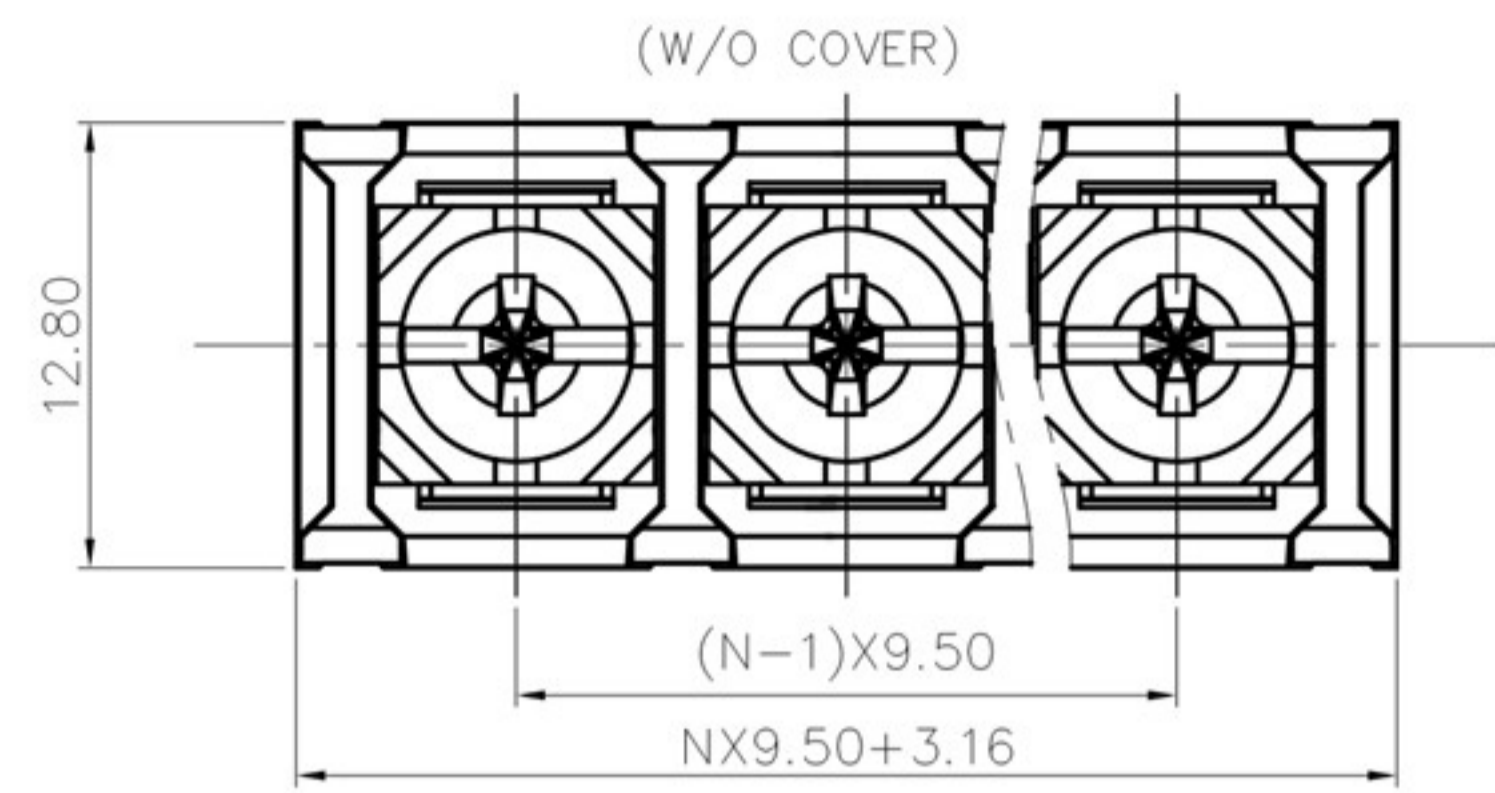


REVISION RECORD				
REV	ECN	DESCRIPTION	DRFT	DATE



NOTES1:  
 UL Standard  
 1.Rated voltage/current : 300V / 20A  
 2.Torque value : M4 , 10.53Lb.in  
 3.Wire range : 22~12AWG

NOTES2:  
 1.Dimension shall be interpreted per ASME Y14.5-2009  
 2.Pitch : 9.5mm, Poles : N=02~22P  
 3.Withstanding voltage : AC1600V/1Min  
 4.Operating temperature: -40°C~+105°C  
 5.Undimensioned tolerances:

Pitch range in mm		Nominal dimension range in mm						-	∩	∇
TO	Over	Over	Over	Over	Over	Over	0.1/10			
6	6 TO 10	10 TO 24	30 TO 30	30 TO 60	60 TO 100	100 TO 150				
±0.15	±0.20	±0.30	±0.30	±0.50	±0.70	±1.00	±1.30	±2'		

6.RoHS Compliance

DETACHED LISTS	PART NO.:	慈溪市美感电子接插件厂 Cixi Meigan Electric Appliance Socket Factory			
	APPD:	NAME: MG48C-9.5			
	CHKD:	TITLE: CUSTOMER DRAWING			
	DRFT:	DRAWING NO.:		REV	D0
	THIRD ANGLE PROJECTION		MM (INCH)	DO NOT SCALE DRAWING	SHEET 1/1
			SCALE	1:1	