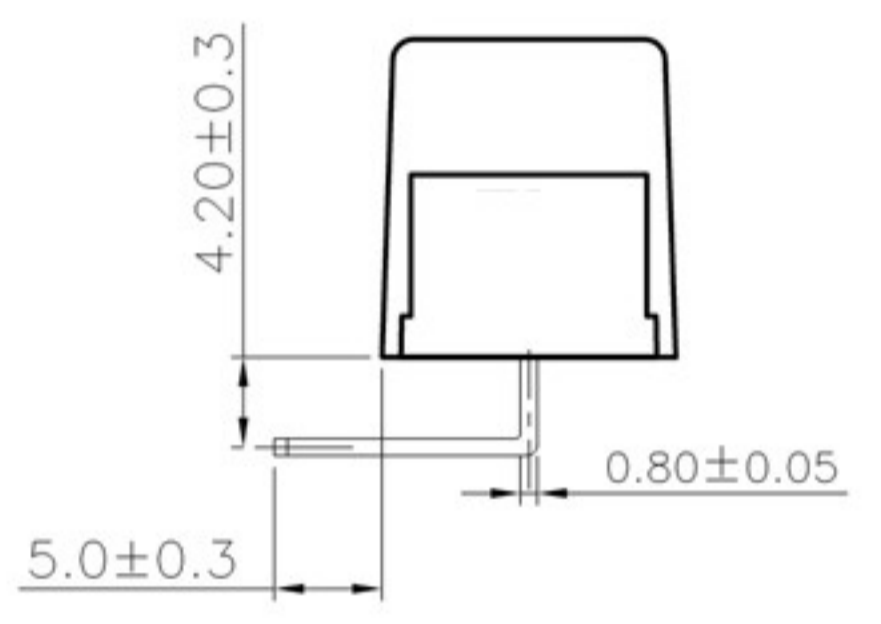
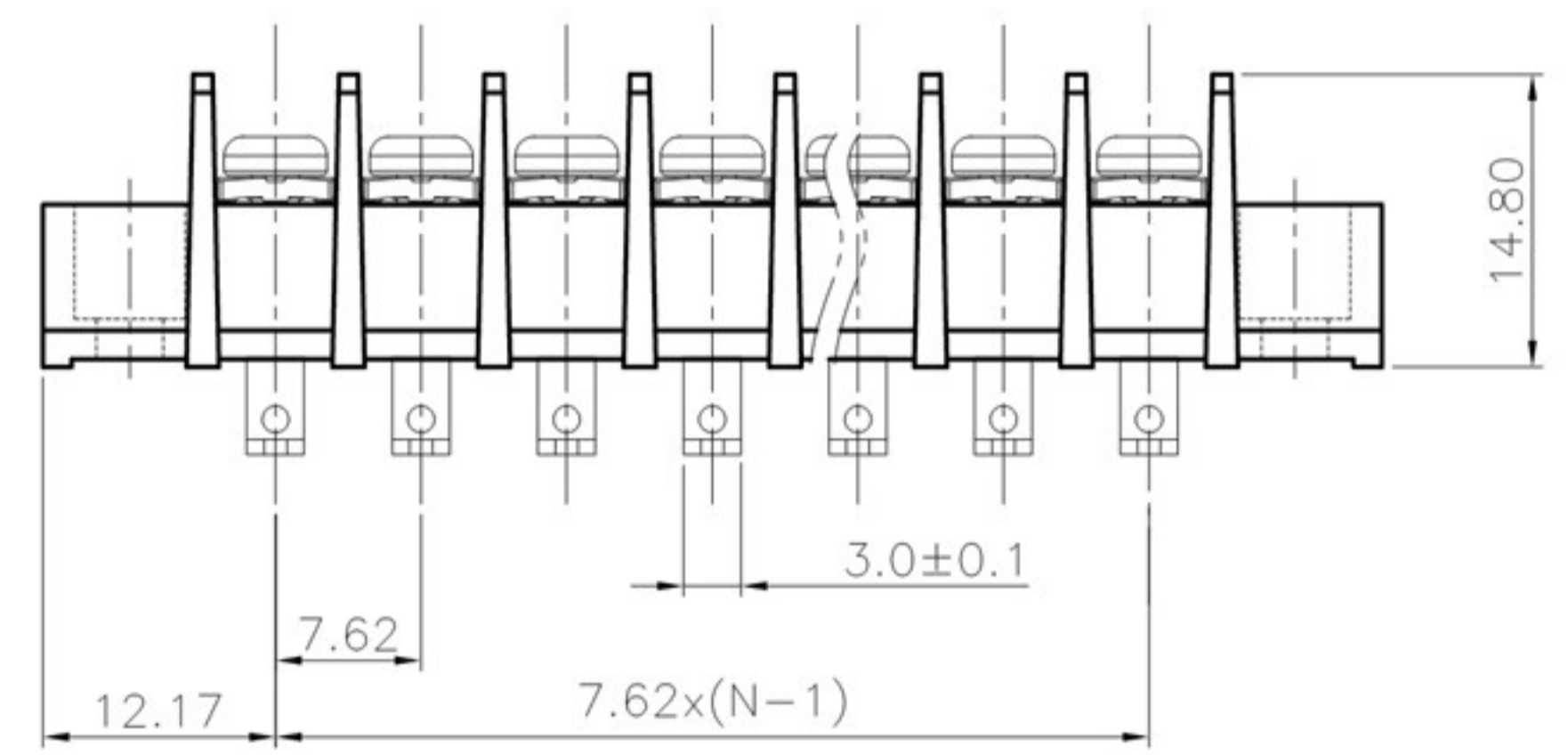
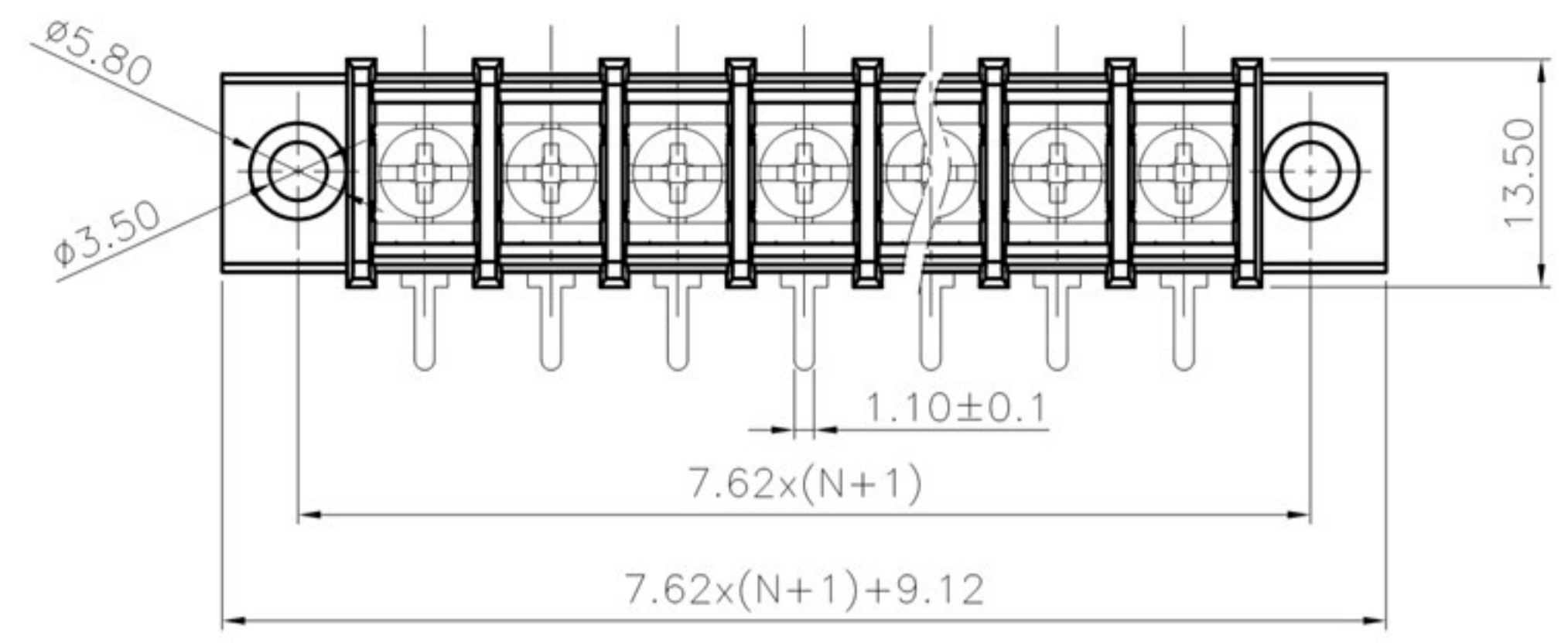


7 | 6 | 5 | 4 | 3 | 2 | 1

REVISION RECORD				
REV	ECN	DESCRIPTION	DRFT	DATE

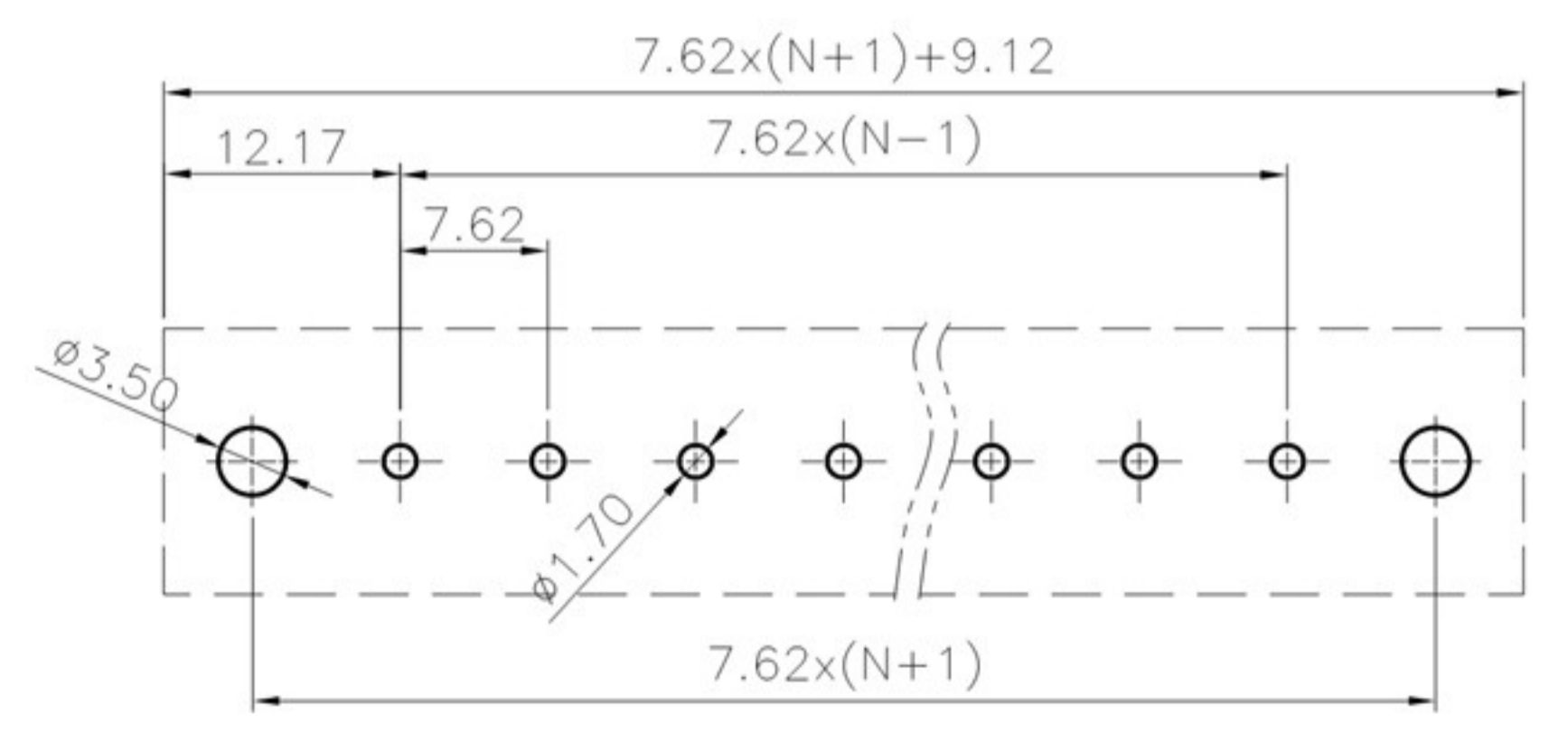


NOTES1:  
 UL Standard  
 1. Rated voltage/current : 300V / 15A  
 2. Torque value : M3 , 4.43Lb.in  
 3. Wire range : 22~14AWG

NOTES2:  
 1. Dimension shall be interpreted per ASME Y14.5-2009  
 2. Pitch : 7.62mm, Poles : N=02~24P  
 3. Withstanding voltage : AC1600V/1Min  
 4. Operating temperature: -40°C~+105°C  
 5. Undimensioned tolerances:

Pitch range in mm		Nominal dimension range in mm							-	∩	∇			
TO	Over	TO	Over	TO	Over	TO	Over	TO	Over	TO				
6	6	10	10	24	24	30	30	60	60	100	100	150	150	0.1/10
±0.15	±0.20	±0.30	±0.30	±0.30	±0.50	±0.70	±1.00	±1.30	±2'					

6. RoHS Compliance



PCB LAYOUT

DETACHED LISTS	PART NO.:	慈溪市美感电子接插件厂 Cixi Meigan Electric Appliance Socket Factory			
	APPD:	NAME: MG25RM-7.62			
	CHKD:	TITLE: CUSTOMER DRAWING		REV	DO
	DRFT:	DRAWING NO.:		SHEET	1/1
	THIRD ANGLE PROJECTION		MM (INCH)	DO NOT SCALE DRAWING	SCALE

H  
G  
F  
E  
D  
C  
B  
A

H  
G  
F  
E  
D  
C  
B  
A

8 | 7 | 6 | 5 | 4 | 3 | 2 | 1