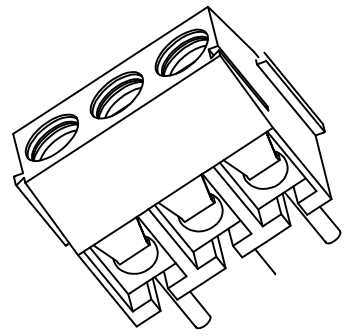
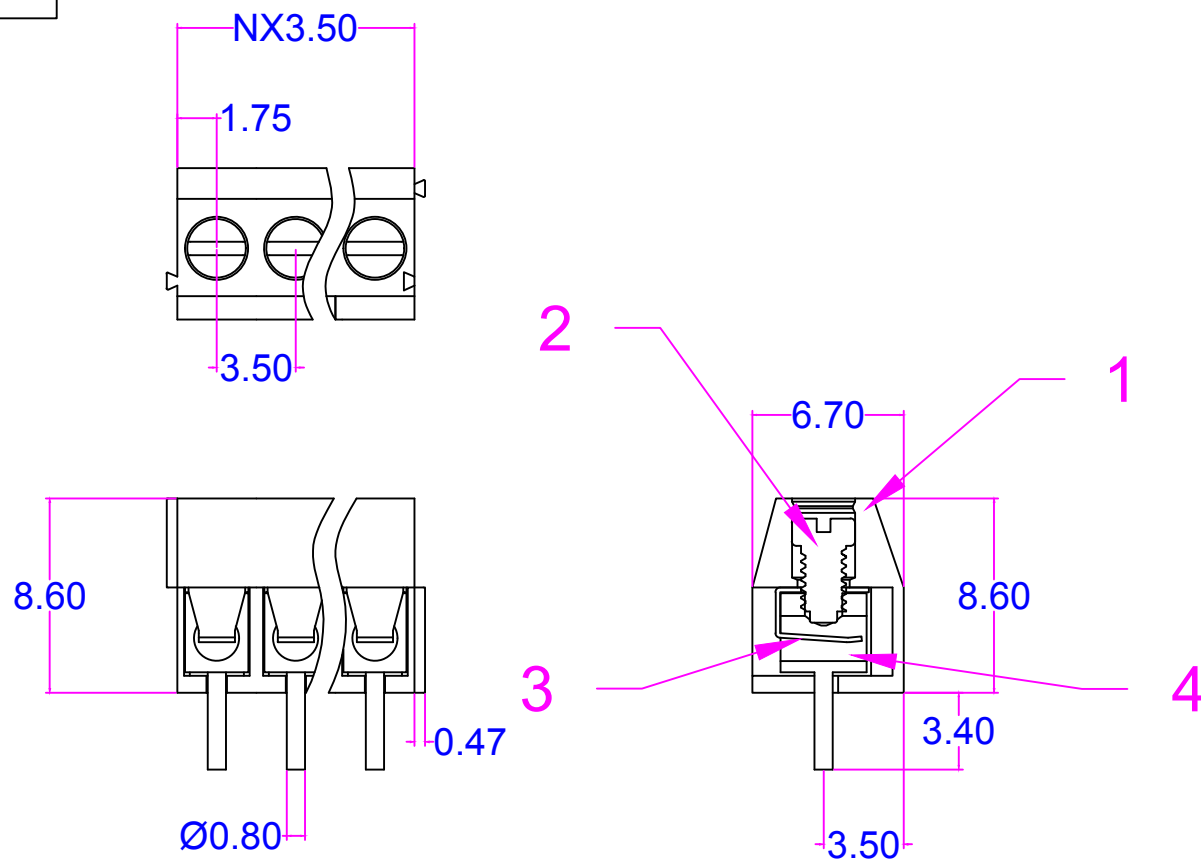


D1RFRD006



序号/RevNO	名称/Title	文件编号/FileNO
1	MG350-3.5塑件	
2	MG350-3.5一字螺丝	
3	MG350-3.5弹片	
4	MG350-3.5方针	



pitch range in mm			Nominal dimension range in mm					—
to	over	over	to	over	over	over	over	⌒
6	6	10	30	30	60	100	150	□
	to	to	to	to	to	to	to	
	10	24	30	60	100	150		
	± 0.10	± 0.15	± 0.25	± 0.20	± 0.30	± 0.50	± 0.7	± 1.0
								0.05/10

Poles:2P/3P-24P
 Pitch:3.50mm
 Voltage Rating:300V
 Current Rating:10A
 Wire range:26-14AWG
 Housing:PA66(UL 94V-0)
 Wire guard:Phosphor bronze,Ni plated
 Pin header:Brass,Tin Plated
 Screw:M2,Steel(Q235),Zinc Plated
 Torque:0.2N.m

设计/Designed by.	绘图/Drawing by.	审核/Checked by.	批准/Approved by.	未注公差 General Tolerance	
图名/Title	文件编号/FileNO	慈溪市美感电子接插件厂 Cixi Meigan Electric Appliance Socket Factory		x° ± 2°	
MG350-3.5	页序/Sheet			.x ± 0.3	.x° ± 1°
备注/Remark		视图/PROJECTION	⊗	.xx ± 0.15	.xx° ± 0.5°
				单位/Units:mm	

8 | 7 | 6 | 5 | 4 | 3 | 2 | 1