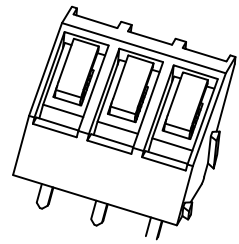
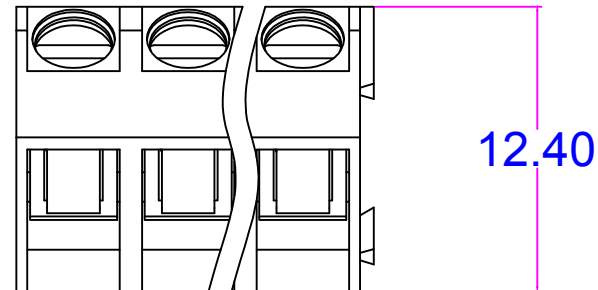


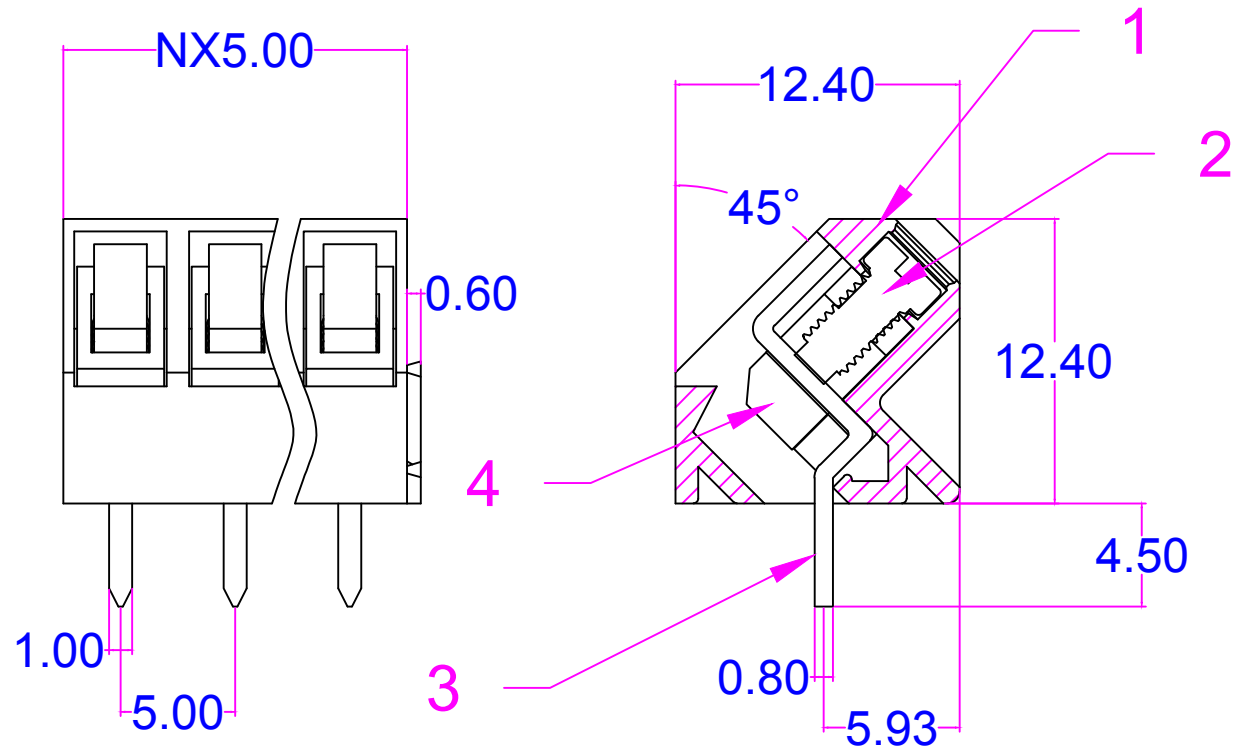
D1RFRD006



序号/RevNC	名称/Title	文件编号/FileNO
1	MG330-5.0塑件	
2	MG330-5.0一字螺丝	
3	MG330-5.0夹子	
4	MG330-5.0方针	



pitch range in mm			Nominal dimension range in mm					—
to	over	to	to	over	over	over	over	—
6	6 to 10	10 to 24	30	30 to 60	60 to 100	100 to 150	150	0.05/10
	± 0.10	± 0.15	± 0.25	± 0.20	± 0.30	± 0.50	± 0.7	± 1.0



Poles:2P/3P-24P  
 Pitch:5.0mm  
 Voltage Rating:300V  
 Current Rating:10A  
 Wire range:26-14AWG  
 Housing:PA66(UL 94V-0)  
 Wire cage:Steel .Zinc.Plated or Brass Ni Plated  
 Pin header:Brass,Tin Plated  
 Screw:M2.5,Steel(Q235),Zinc Plated  
 Torque:0.4N.m

设计/Designed by.	绘图/Drawing by.	审核/Checked by.	批准/Approved by.	未注公差 General Tolerance	
图名/Title	文件编号/FileNO	慈溪市美感电子接插件厂 Cixi Meigan Electric Appliance Socket Factory		.X ± 0.3	.X' ± 1°
MG330-5.0	页序/Sheet			.XX ± 0.15	.XX' ± 0.5°
备注/Remark	视图/PROJECTION			单位/Units:mm	

8 | 7 | 6 | 5 | 4 | 3 | 2 | 1