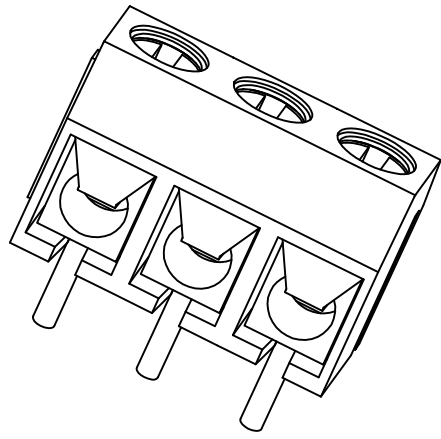
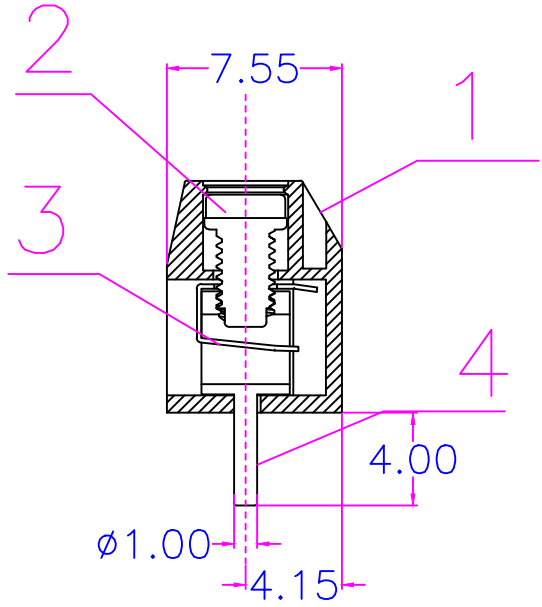
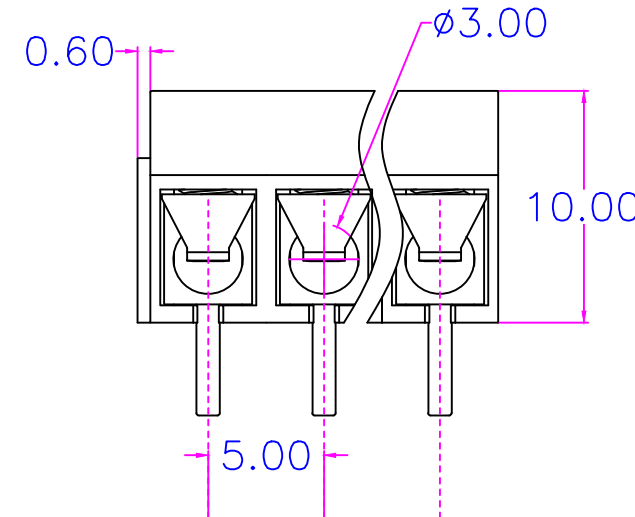
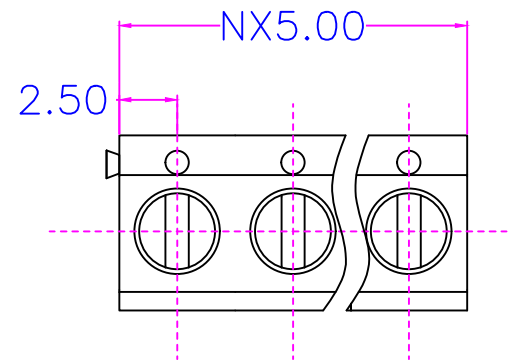


D1RFRD006



序号/RevNO	名称/Title	文件编号/FileNO
1	MG301-5.0塑件	
2	MG301-5.0一字螺丝	
3	MG301-5.0弹片	
4	MG301-5.0方针	



pitch range in mm			Nominal dimension range in mm					—
to	over 6 to	over 10 to	to	over 30 to	over 60 to	over 100 to	over 150 to	⤿
6	10	24	30	60	100	150		□
± 0.10	± 0.15	± 0.25	± 0.20	± 0.30	± 0.50	± 0.7	± 1.0	0.05/10

Poles:2P/3P-24P  
 Pitch:5.0mm  
 Voltage Rating:300V  
 Current Rating:15A  
 Wire range:26-14AWG  
 Housing:PA66(UL 94V-0)  
 Wire guard:Phosphor bronze,Ni plated  
 Pin header:Brass,Tin Plated  
 Screw:M2.5,Steel(Q235),Zinc Plated  
 Torque:0.4N.m

设计/Designed by.	绘图/Drawing by.	审核/Checked by.	批准/Approved by.	未注公差 General Tolerance	
				.x ± 0.3	.x' ± 2°
图名/Title	文件编号/FileNO	慈溪市美感电子接插件厂 Cixi Meigan Electric Appliance Socket Factory			
MG301-5.0	页序/Sheet			.xx ± 0.15	.xx' ± 0.5°
备注/Remark	视图/PROJECTION			单位/Units:mm	

8 | 7 | 6 | 5 | 4 | 3 | 2 | 1

H  
G  
F  
E  
D  
C  
B  
A