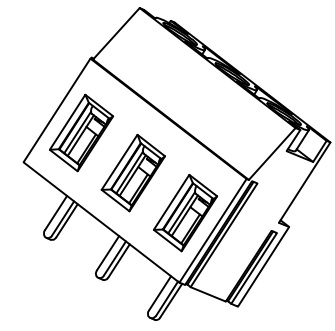
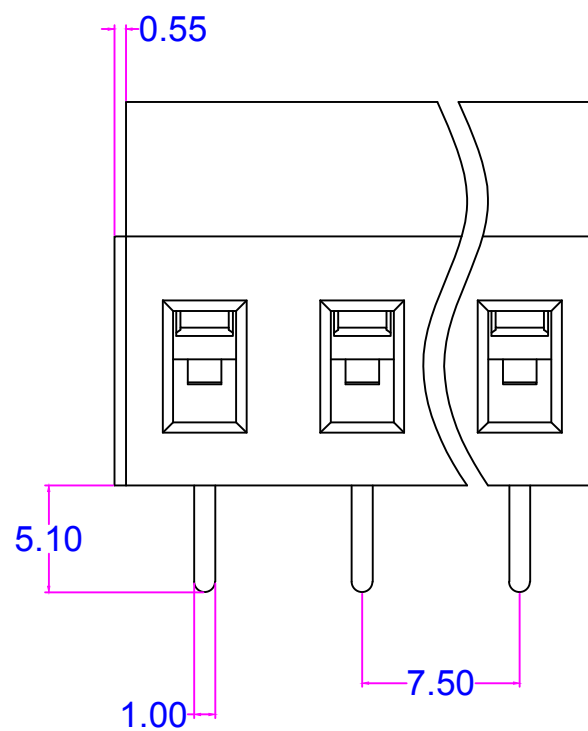
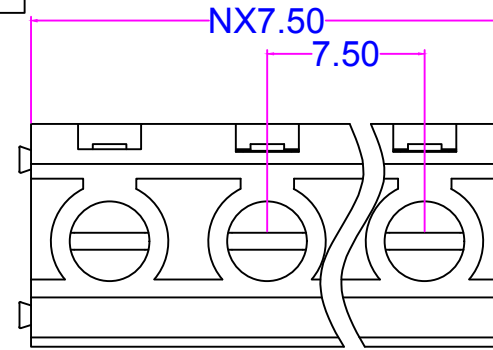


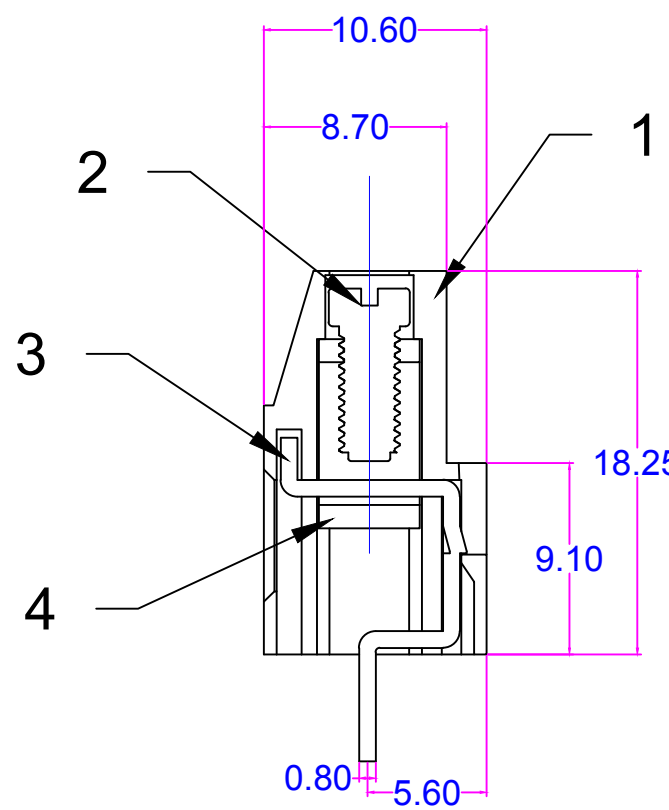
D1RFR006



序号/RevNO	名称/Title	文件编号/FileNO
1	MG129-7.5塑件	
2	MG129-7.5一字螺丝	
3	MG129-7.5夹子	
4	MG129-7.5方块	



pitch range in mm		Nominal dimension range in mm						—	
to	over	over	to	over	over	over	over	 	
6	6 to 10	10 to 24	30	30 to 60	60 to 100	100 to 150	150 to		
	± 0.10	± 0.15	± 0.25	± 0.20	± 0.30	± 0.50	± 0.7	± 1.0	0.05/10



1 Poles:2P/3P-24P
 Pitch:7.5mm
 Voltage Rating:300V
 Current Rating:25A
 Wire range:26-12AWG
 Housing:PA66(UL 94V-0)
 Wire cage:Steel .Zinc.Plated or Brass
 Ni Plated
 Pin header:Brass,Tin Plated
 Screw:M3,Steel(Q235),Zinc Plated
 Torque:0.5N.m

设计/Designed by.	绘图/Drawing by.	审核/Checked by.	批准/Approved by.	未注公差 General Tolerance	
图名/Title	文件编号/FileNO	慈溪市美感电子接插件厂 Cixi Meigan Electric Appliance Socket Factory		.x ± 0.3	.x' ± 1'
MG129-7.5	页序/Sheet			.xx ± 0.15	.xx' ± 0.5'
备注/Remark	视图/PROJECTION			单位/Units:mm	

8 | 7 | 6 | 5 | 4 | 3 | 2 | 1

H
G
F
E
D
C
B
A