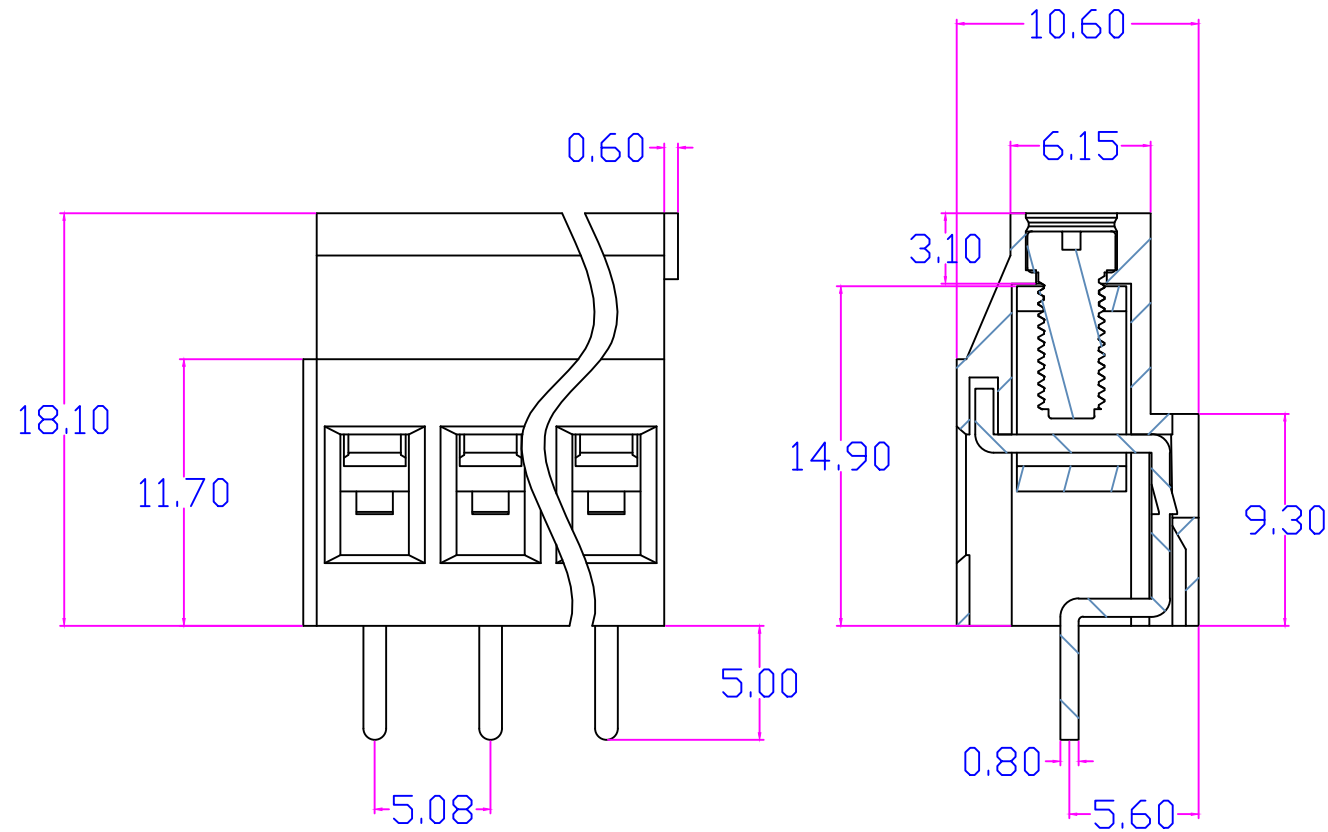
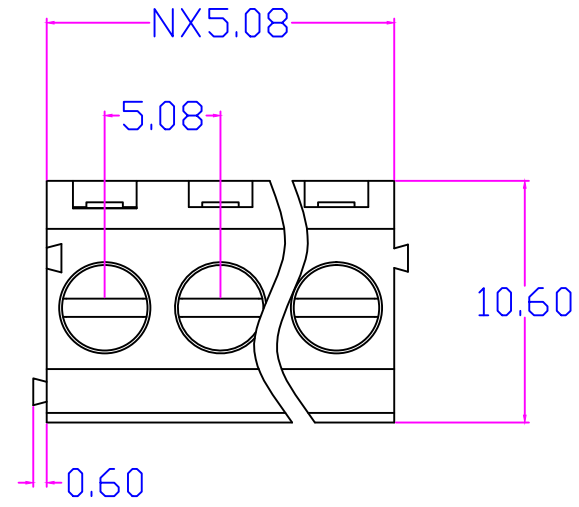
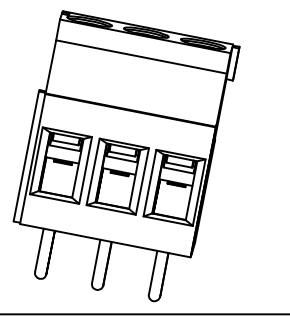


D1RFRD006



序号/RevNC	名称/Title	文件编号/FileNO
1	MG129-5.08塑件	
2	MG129-5.08一字螺丝	
3	MG129-5.08夹子	
4	MG129-5.08方块	

pitch range in mm			Nominal dimension range in mm					—
to	over 6 to	over 10 to	to	over 30 to	over 60 to	over 100 to	over 150 to	⌒
6	10	24	30	60	100	150		□
± 0.10	± 0.15	± 0.25	± 0.20	± 0.30	± 0.50	± 0.7	± 1.0	0.05/10

Poles:2P/3P-24P  
 Pitch:5.08mm  
 Voltage Rating:300V  
 Current Rating:25A  
 Wire range:26-12AWG  
 Housing:PA66(UL 94V-0)  
 Wire cage:Steel .Zinc.Plated or Brass  
 Ni Plated  
 Pin header:Brass,Tin Plated  
 Screw:M3,Steel(Q235),Zinc Plated  
 Torque:0.5N.m

设计/Designed by.	绘图/Drawing by.	审核/Checked by.	批准/Approved by.	未注公差 General Tolerance	
图名/Title	文件编号/FileNO	慈溪市美感电子接插件厂 Cixi Meigan Electric Appliance Socket Factory		.x ± 0.3	x° ± 2°
MG129-5.08	页序/Sheet			.xx ± 0.15	.xx° ± 0.5°
备注/Remark	视图/PROJECTION			单位/Units:mm	

8

7

6

5

4

3

2

1

H

G

F

E

D

C

B

A