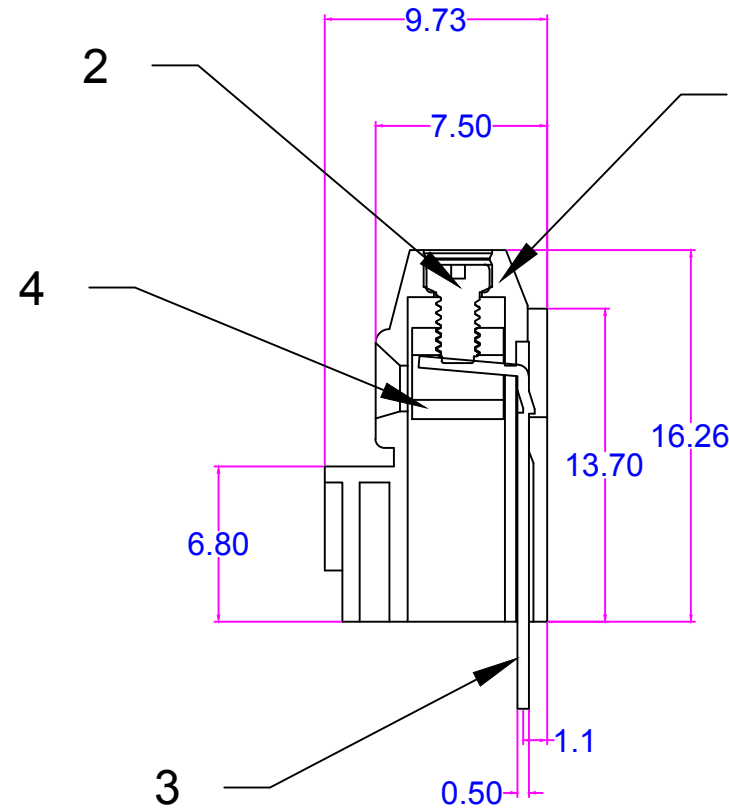
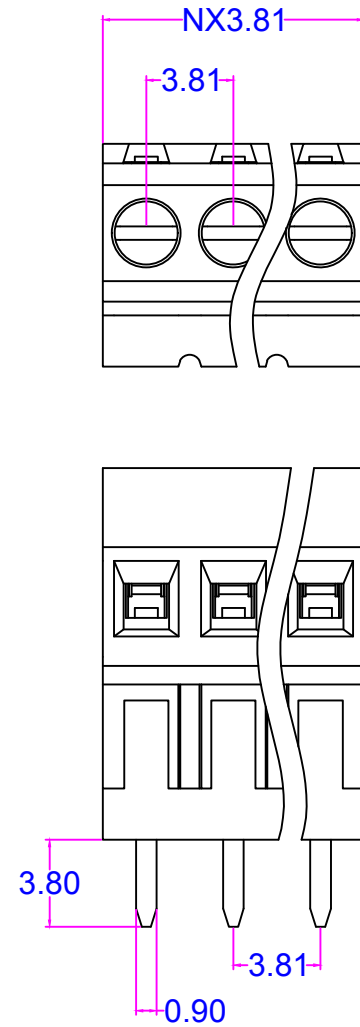


序号/RevNO	名称/Title	文件编号/FileNO
1	MG128H-3.81塑件	
2	MG128H-3.81一字螺丝	
3	MG128H-3.81夹子	
4	MG128H-3.81方块	



pitch range in mm			Nominal dimension range in mm					—
	over 6	over 10		over 30	over 60	over 100	over 150	⤿
to	to	to	to	to	to	to	to	▭
6	10	24	30	60	100	150		
± 0.10	± 0.15	± 0.25	± 0.20	± 0.30	± 0.50	± 0.7	± 1.0	0.05/10

Poles: 2P/3P-24P
 Pitch: 3.81mm
 Voltage Rating: 150V
 Current Rating: 10A
 Wire range: 26-16AWG
 Housing: PA66(UL 94V-0)
 Wire cage: Brass Ni Plated
 Pin header: Brass, Tin Plated
 Screw: M2, Steel(Q235), Zinc Plated
 Torque: 0.2N.m

设计/Designed by.	绘图/Drawing by.	审核/Checked by.	批准/Approved by.	未注公差 General Tolerance	
					x' ± 2°
图名/Title	文件编号/FileNO	慈溪市美感电子接插件厂 Cixi Meigan Electric Appliance Socket Factory		.x ± 0.3	.x' ± 1°
MG128H -3.81	页序/Sheet			.xx ± 0.15	.xx' ± 0.5°
备注/Remark	视图/PROJECTION			单位/Units:mm	

H
G
F
E
D
C
B
A