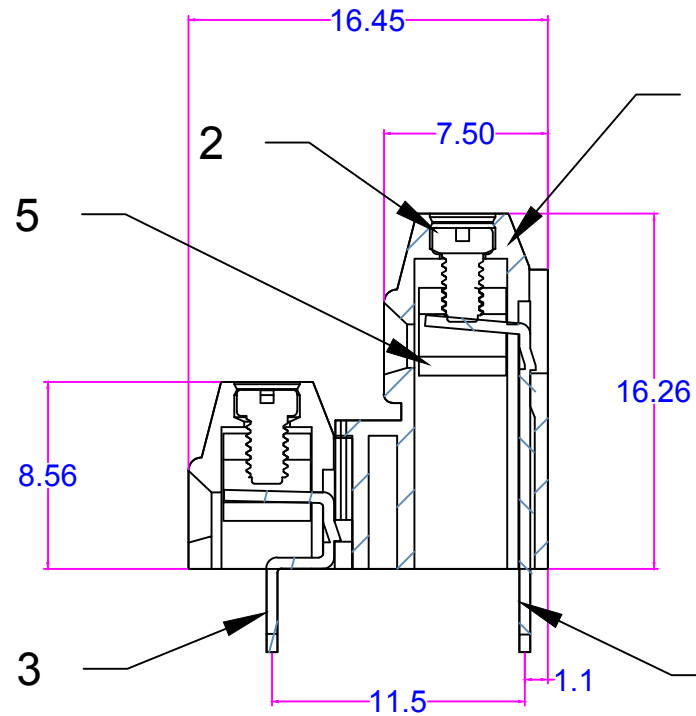
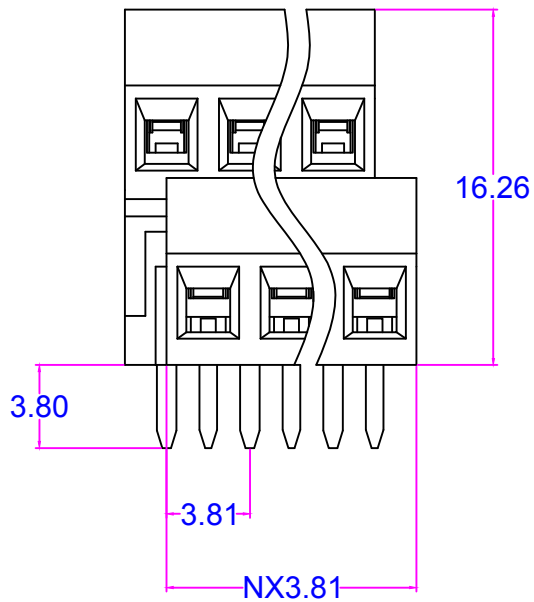
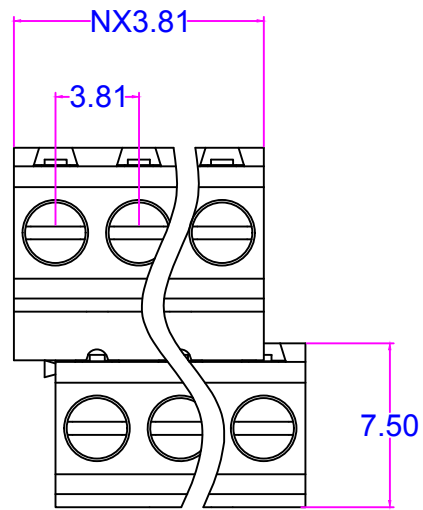
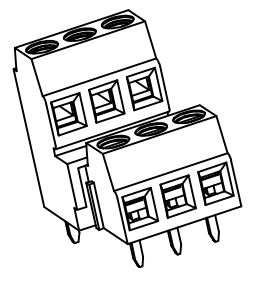


D1RFR006



Poles:2P/3P-24P
 Pitch:3.81mm
 Voltage Rating:150V
 Current Rating:10A
 Wire range:26-16AWG
 Housing:PA66(UL 94V-0)
 Wire cage: Brass Ni Plated
 Pin header:Brass,Tin Plated
 Screw:M2,Steel(Q235),Zinc Plated
 Torque:0.2N.m

序号/RevNO	名称/Title	文件编号/FileNO
1	MG128A-3.81塑件	
2	MG128A-3.81一字螺丝	
3	MG128A-3.81夹子1	
4	MG128A-3.81夹子2	
5	MG128A-3.81方块	

pitch range in mm			Nominal dimension range in mm					—
to	over	over	to	over	over	over	over	—
6	6	10	30	30	60	100	150	—
± 0.10	± 0.15	± 0.25	± 0.20	± 0.30	± 0.50	± 0.7	± 1.0	0.05/10

设计/Designed by.	绘图/Drawing by.	审核/Checked by.	批准/Approved by.	未注公差 General Tolerance	
				x ^o ± 2 ^o	
图名/Title	文件编号/FileNO	慈溪市美感电子接插件厂 Cixi Meigan Electric Appliance Socket Factory		.x ± 0.3	.x ^o ± 1 ^o
MG128A-3.81	页序/Sheet			.xx ± 0.15	.xx ^o ± 0.5 ^o
备注/Remark	视图/PROJECTION			单位/Units:mm	

8 | 7 | 6 | 5 | 4 | 3 | 2 | 1

H
G
F
E
D
C
B
A