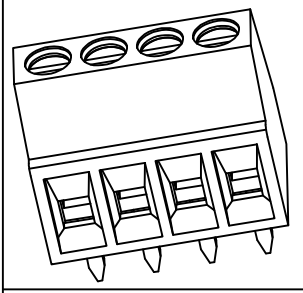
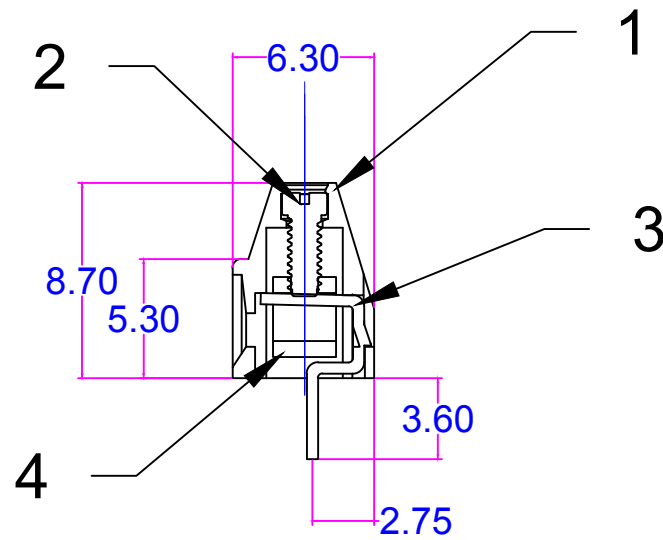
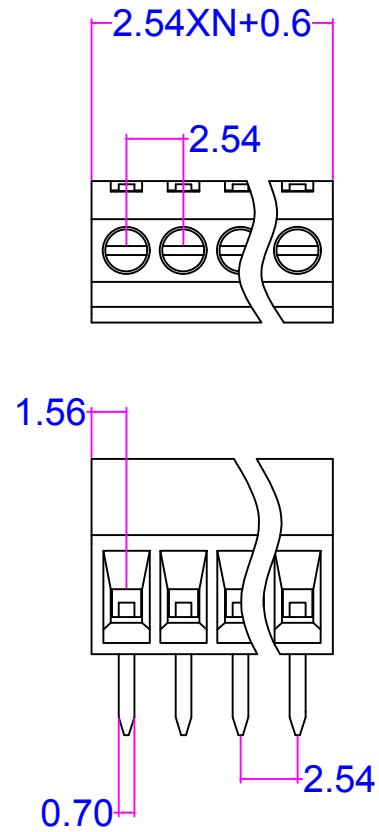


D1RFR006



序号/RevNO	名称/Title	文件编号/FileNO
1	MG128-2.54塑件	
2	MG128-2.54一字螺丝	
3	MG128-2.54夹子	
4	MG128-2.54方块	



pitch range in mm			Nominal dimension range in mm					—
to	over	over	to	over	over	over	over	⤴
6	6	10	30	30	60	100	150	⤵
± 0.10	± 0.15	± 0.25	± 0.20	± 0.30	± 0.50	± 0.7	± 1.0	□

Poles:2P/3P-24P
 Pitch:2.54mm
 Voltage Rating:150V
 Current Rating:8A
 Wire range:26-16AWG
 Housing:PA66(UL 94V-0)
 Wire cage: BrassNi Plated
 Pin header:Brass,Tin Plated
 Screw:M1.5,Steel(Q235),Zinc Plated
 Torque:0.1N.m

设计/Designed by.	绘图/Drawing by.	审核/Checked by.	批准/Approved by.	未注公差 General Tolerance	
图名/Title	文件编号/FileNO	慈溪市美感电子接插件厂 Cixi Meigan Electric Appliance Socket Factory		.X ± 0.3	X [°] ± 2°
MG128-2.54	页序/Sheet			.XX ± 0.15	.XX [°] ± 0.5°
备注/Remark	视图/PROJECTION			单位/Units:mm	

8 | 7 | 6 | 5 | 4 | 3 | 2 | 1