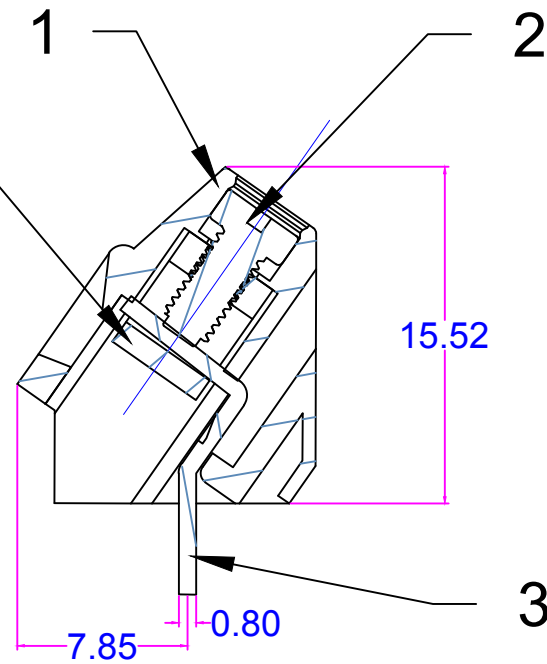
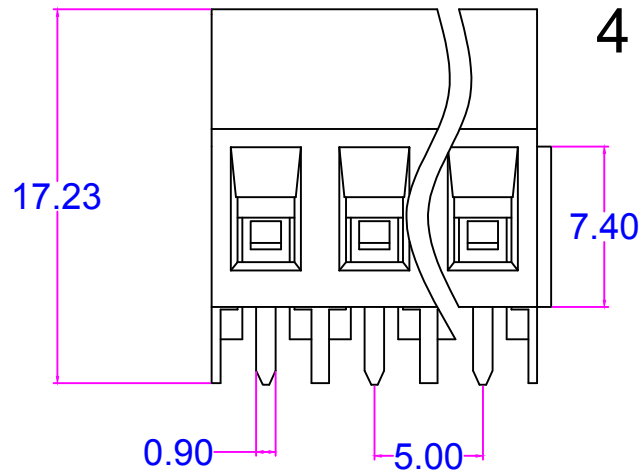
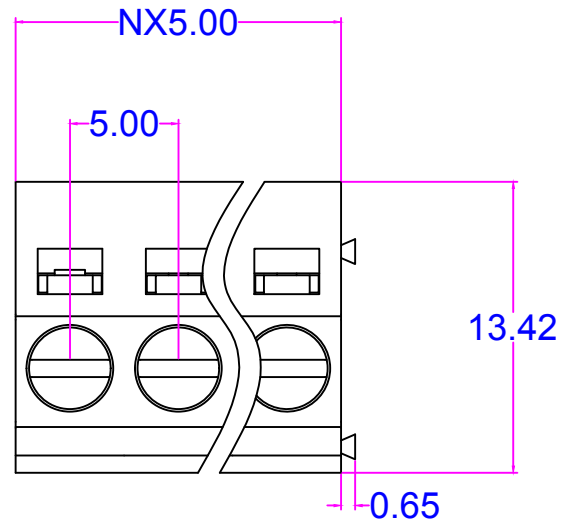
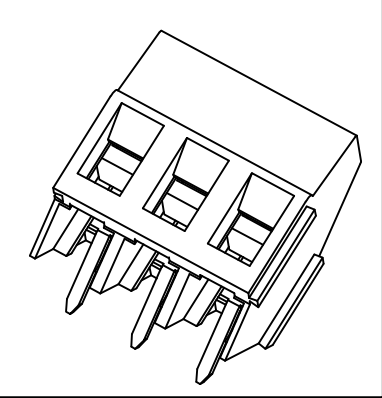


D1RFRD006



序号/RevNO	名称/Title	文件编号/FileNO
1	MG103-5.0塑件	
2	MG103-5.0一字螺丝	
3	MG103-5.0夹子	
4	MG103-5.0方块	

pitch range in mm			Nominal dimension range in mm					—
	over 6	over 10		over 30	over 60	over 100	over 150	⌒
to	to	to	to	to	to	to	to	▭
6	10	24	30	60	100	150		
± 0.10	± 0.15	± 0.25	± 0.20	± 0.30	± 0.50	± 0.7	± 1.0	0.05/10

Poles:2P/3P-24P
 Pitch:5.0mm
 Voltage Rating:300V
 Current Rating:10A
 Wire range:24-12AWG
 Housing:PA66(UL 94V-0)
 Wire cage:Scteel .Zinc.Plated or Brass
 Ni Plated
 Pin header:Brass,Tin Plated
 Screw:M2.5,Steel(Q235),Zinc Plated
 Torque:0.4N.m

设计/Designed by.	绘图/Drawing by.	审核/Checked by.	批准/Approved by.	未注公差 General Tolerance	
图名/Title	文件编号/FileNO	慈溪市美感电子接插件厂 Cixi Meigan Electric Appliance Socket Factory		.x ± 0.3	x' ± 2°
MG103-5.0	页序/Sheet			.xx ± 0.15	.xx' ± 0.5°
备注/Remark	视图/PROJECTION			单位/Units:mm	

8 | 7 | 6 | 5 | 4 | 3 | 2 | 1

H
G
F
E
D
C
B
A