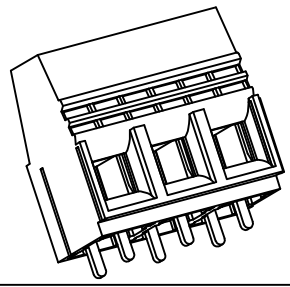
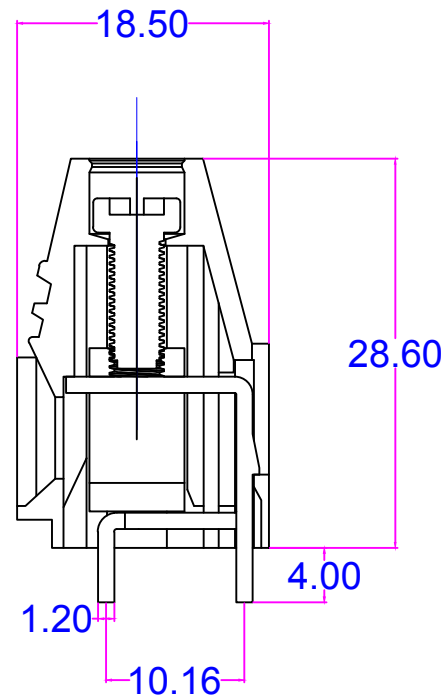
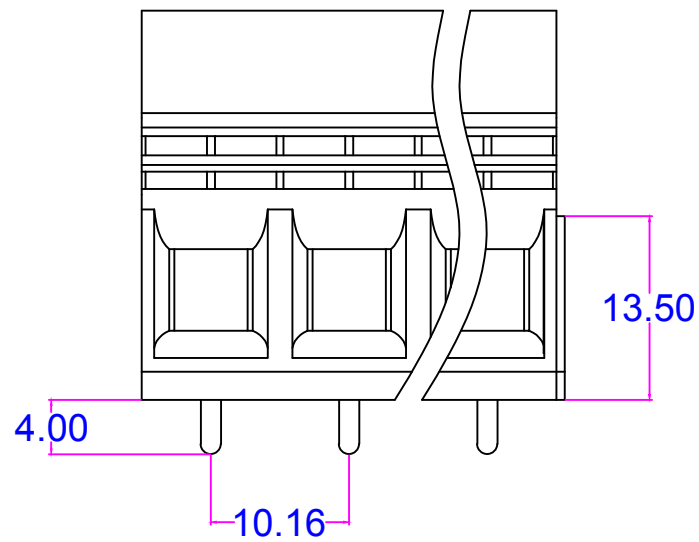
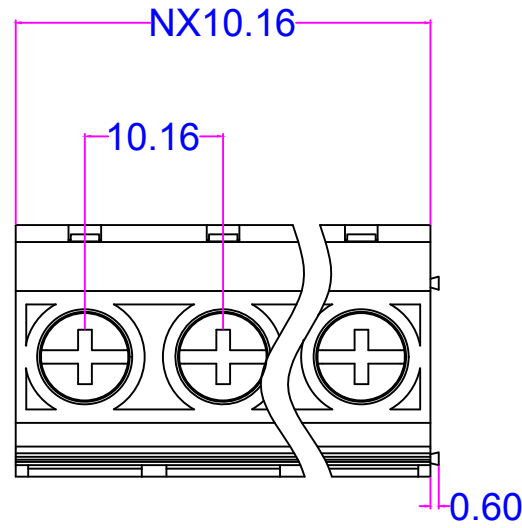


D1RFRD006



序号/RevNO	名称/Title	文件编号/FileNO
1	MG1016-10.16塑件	
2	MG1016-10.16十字螺丝	
3	MG1016-10.16夹子	
4	MG1016-10.16方块	



pitch range in mm			Nominal dimension range in mm					—	
to	over	over	to	over	over	over	over	 	
6	6 to 10	10 to 24	30	30 to 60	60 to 100	100 to 150	150 to		
	± 0.10	± 0.15	± 0.25	± 0.20	± 0.30	± 0.50	± 0.7	± 1.0	0.05/10

Poles: 2P/3P-24P  
 Pitch: 10.16mm  
 Voltage Rating: 650V  
 Current Rating: 57A  
 Wire range: 22-8AWG  
 Housing: PA66(UL 94V-0)  
 Wire cage: Steel .Zinc.Plated or Brass  
 Ni Plated  
 Pin header: Brass, Tin Plated  
 Screw: M4, Steel(Q235), Zinc Plated  
 Torque: 1.2N.m

设计/Designed by.	绘图/Drawing by.	审核/Checked by.	批准/Approved by.	未注公差 General Tolerance	
				X <sup>o</sup> ± 2° .X ± 0.3    .X <sup>o</sup> ± 1° .XX ± 0.15    .XX <sup>o</sup> ± 0.5°	
图名/Title	文件编号/FileNO	慈溪市美感电子接插件厂 Cixi Meigan Electric Appliance Socket Factory			
MG1016 -10.16	页序/Sheet				
备注/Remark	视图/PROJECTION			单位/Units: mm	