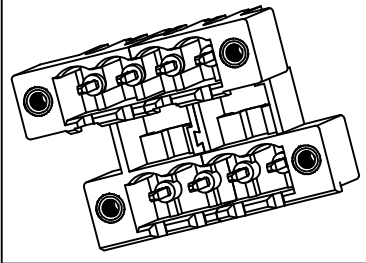
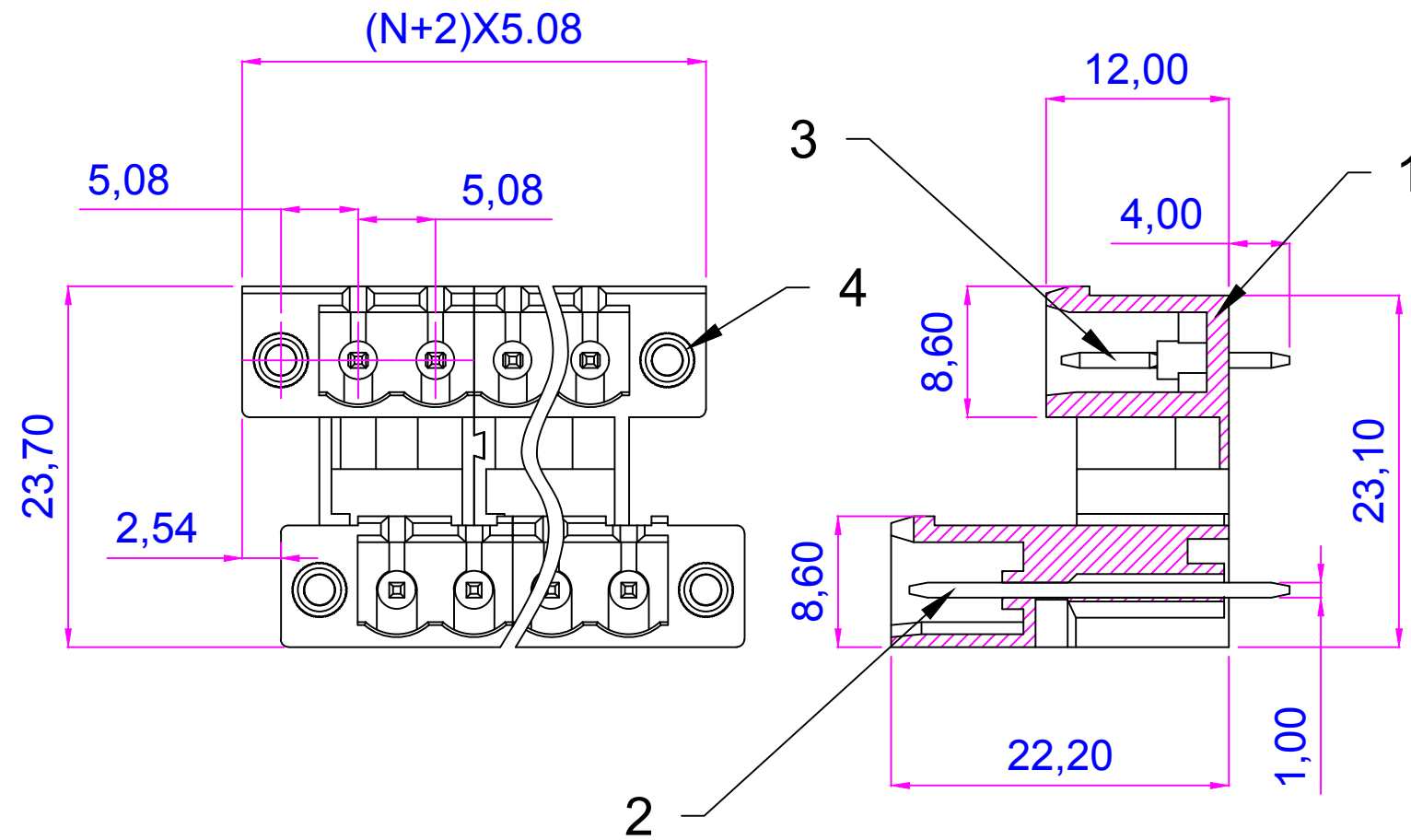


D1RFRD006



序号/RevNO	名称/Title	文件编号/FileNO
1	2EMGVTM-5.08 塑件	
2	2EMGVTM-5.08 焊针1	
3	2EMGVTM-5.08 焊针2	
4	2EMGVTM-5.08 螺帽	



pitch range in mm			Nominal dimension range in mm					—
to	over	over	to	over	over	over	over	
6	6 to 10	10 to 24	30	30 to 60	60 to 100	100 to 150	150 to	
±0.10	±0.15	±0.25	±0.20	±0.30	±0.50	±0.7	±1.0	0.05/10

Poles:4P-24P  
 Pitch:5.08mm  
 Voltage Rating:300V  
 Current Rating:15A  
 Housing:PA66(UL 94V-0)  
 Pin header:Brass,Tin Plated

设计/Designed by.	绘图/Drawing by.	审核/Checked by.	批准/Approved by.	未注公差 General Tolerance	
图名/Title	文件编号/FileNO	慈溪市美感电子接插件厂 Cixi Meigan Electric Appliance Socket Factory		.x ± 0.3	x° ± 2°
2EMGVTM-5.08	页序/Sheet			.xx ± 0.15	.x° ± 1°
备注/Remark	视图/PROJECTION			单位/Units:mm	

序号/RevNO	更改记录/Revision note	签名/Signature	日期/Date
8			
7			
6			
5			
4			
3			
2			
1			