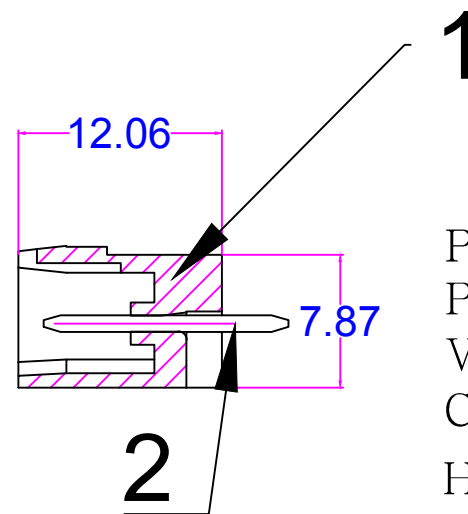
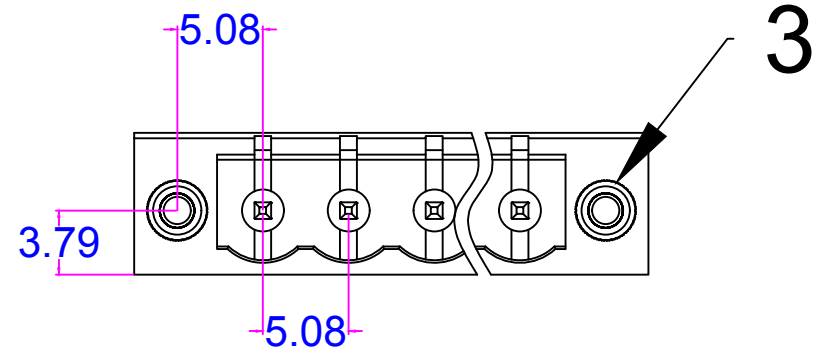
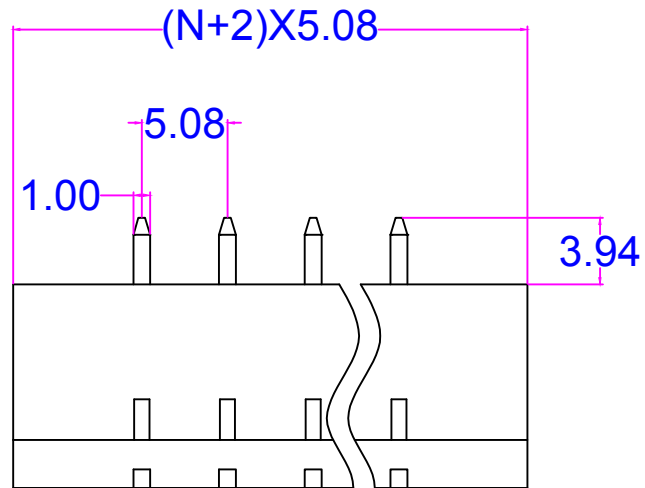
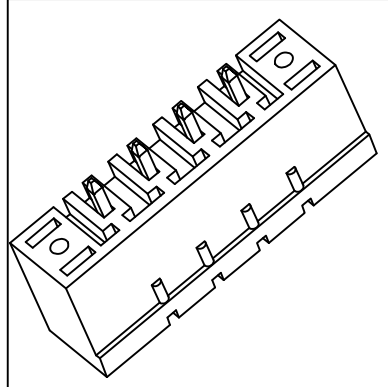


D1RFRD006



Poles:2P/3P-24P
 Pitch:5.08mm
 Voltage Rating:300V
 Current Rating:15A
 Housing:PA66(UL 94V-0)
 Pin header:Brass,Tin Plated

| 序号/RevNO | 名称/Title | 文件编号/FileNO |
|----------|----------------|-------------|
| 1 | 2EMGVM-5.08 塑件 | |
| 2 | 2EMGVM-5.08 焊针 | |
| 3 | 2EMGVM-5.08 螺帽 | |

| pitch range in mm | | | Nominal dimension range in mm | | | | | — |
|-------------------|------|----|-------------------------------|------|------|------|------|---------|
| to | over | to | to | over | over | over | over | — |
| 6 | 6 | 10 | 30 | 30 | 60 | 100 | 150 | ∩ |
| | 10 | 24 | 30 | 60 | 100 | 150 | to | □ |
| | | | | | | | | 0.05/10 |
| | | | | | | | | |

| 单位 | 2P | 3P | 4P | 5P | 6P | 7P | 8P | 9P | 10P | 11P | 12P |
|----|-------|-------|-------|-------|-------|-------|--------|--------|--------|--------|-------|
| mm | 20.32 | 25.40 | 30.48 | 35.56 | 40.64 | 45.72 | 50.8 | 55.88 | 60.96 | 66.04 | 71.12 |
| | 13P | 14P | 15P | 16P | 17P | 18P | 19P | 20P | 21P | 22P | 23P |
| | 76.2 | 81.28 | 86.36 | 91.44 | 96.52 | 101.6 | 106.68 | 111.76 | 116.84 | 121.92 | 127.0 |

| | | | | | |
|-----------------|----------------|--|-----------------|---------------------------|----------------------|
| 设计/Designed by. | 绘图/Drawing by. | 审核/Checked by. | 批准/Approved by. | 未注公差 General Tolerance | |
| 图名/Title | 文件编号/FileNO | 慈溪市美感电子接插件厂 Cixi Meigan Electric Appliance Socket Factory | | .x ^o ± 2° | .x ^o ± 1° |
| 2EMGVM-5.08 | 页序/Sheet | | | .xx ± 0.15 | .xx ± 0.5° |
| 备注/Remark | 视图/PROJECTION | | | 单位/Units:mm | |

| 序号/RevNO | 更改记录/Revision note | 签名/Signature | 日期/Date |
|----------|--------------------|--------------|---------|
| 8 | | | |
| 7 | | | |
| 6 | | | |
| 5 | | | |
| 4 | | | |
| 3 | | | |
| 2 | | | |
| 1 | | | |