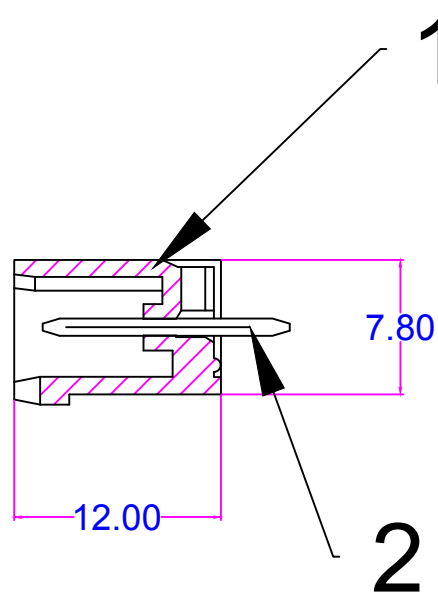
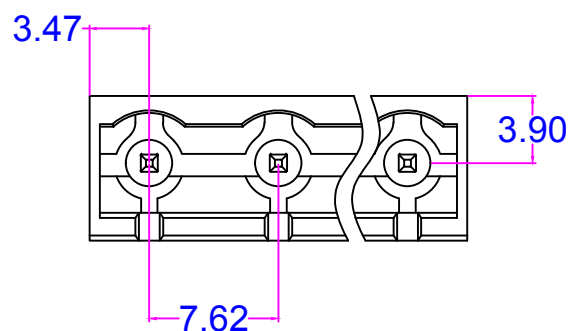
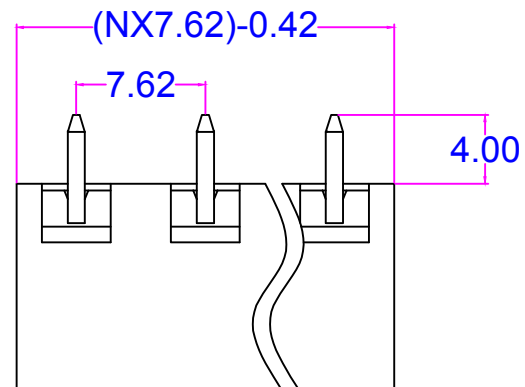
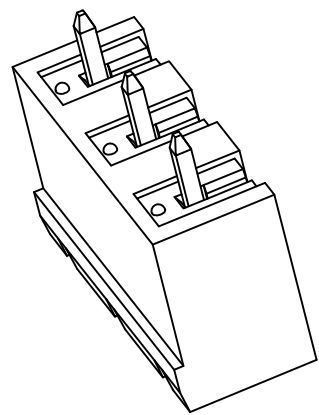


序号/RevNO	名称/Title	文件编号/FileNO
1	2EMGVC-7.62塑件	
2	2EMGVC-7.62焊针	



pitch range in mm		Nominal dimension range in mm						—
	over 6	over 10		over 30	over 60	over 100	over 150	⤴
to	to	to	to	to	to	to	to	⤵
6	10	24	30	60	100	150		
± 0.10	± 0.15	± 0.25	± 0.20	± 0.30	± 0.50	± 0.7	± 1.0	0.05/10

Poles:2P/3P-24P  
 Pitch:7.62mm  
 Voltage Rating:300V  
 Current Rating:15A  
 Housing:PA66(UL 94V-0)  
 Pin header:Brass,Tin Plated

设计/Designed by.	绘图/Drawing by.	审核/Checked by.	批准/Approved by.	未注公差 General Tolerance	
				. X ± 0.3	. X° ± 2°
图名/Title	文件编号/FileNO	慈溪市美感电子接插件厂 Cixi Meigan Electric Appliance Socket Factory			
2EMGVC-7.62	页序/Sheet				
备注/Remark	视图/PROJECTION			单位/Units:mm	

序号/RevNO	更改记录/Revision note	签名/Signature	日期/Date
8			
7			
6			
5			
4			
3			
2			
1			