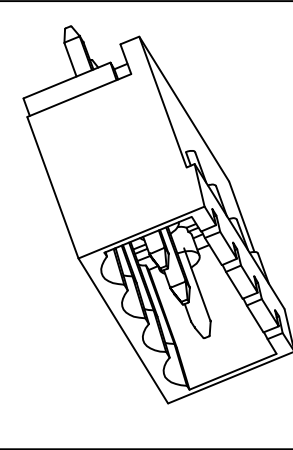
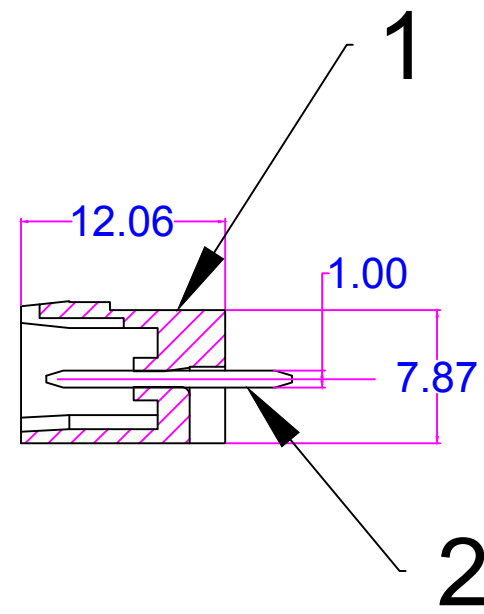
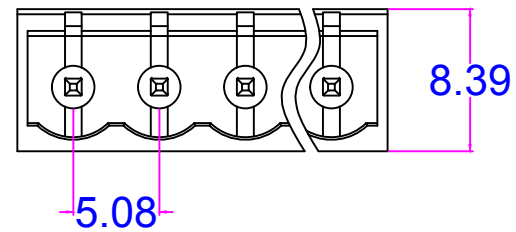
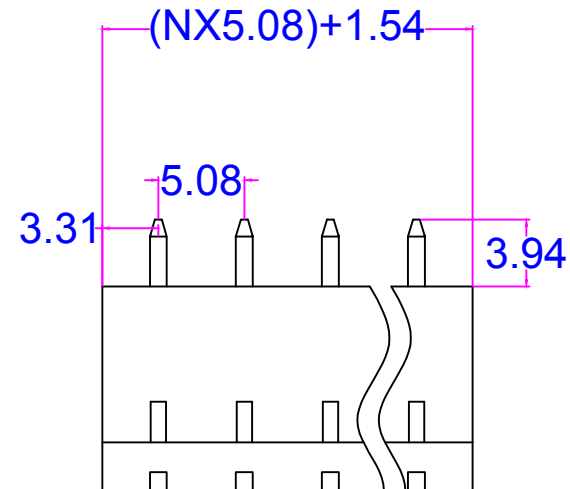


D1RFRD006



序号/RevNO	名称/Title	文件编号/FileNO
1	2EMGVC-5.08 塑件	
2	2EMGVC-5.08 焊针	



pitch range in mm			Nominal dimension range in mm					—
to	over 6 to 10	over 10 to 24	to	over 30 to 60	over 60 to 100	over 100 to 150	over 150 to	⌒
6	10	24	30	60	100	150		□
±0.10	±0.15	±0.25	±0.20	±0.30	±0.50	±0.7	±1.0	0.05/10

Poles:2P/3P-24P
 Pitch:5.08mm
 Voltage Rating:300V
 Current Rating:15A
 Housing:PA66(UL 94V-0)
 Pin header:Brass,Tin Plated

设计/Designed by.	绘图/Drawing by.	审核/Checked by.	批准/Approved by.	未注公差 General Tolerance	
图名/Title	文件编号/FileNO	慈溪市美感电子接插件厂 Cixi Meigan Electric Appliance Socket Factory		.x ± 0.3	x° ± 2°
2EMGVC-5.08	页序/Sheet			.xx ± 0.15	.xx° ± 0.5°
备注/Remark	视图/PROJECTION			单位/Units:mm	

序号/RevNO	更改记录/Revision note	签名/Signature	日期/Date
8			
7			
6			

8 | 7 | 6 | 5 | 4 | 3 | 2 | 1