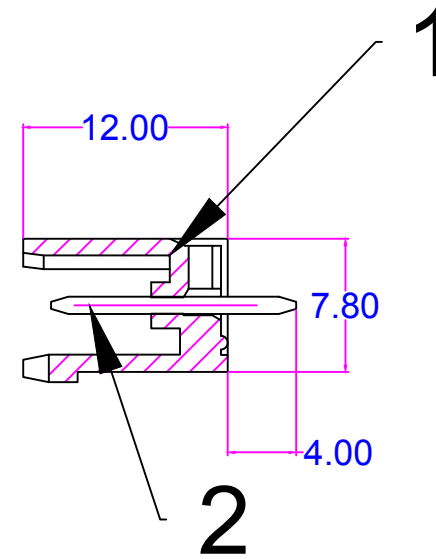
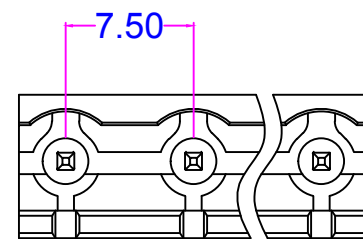
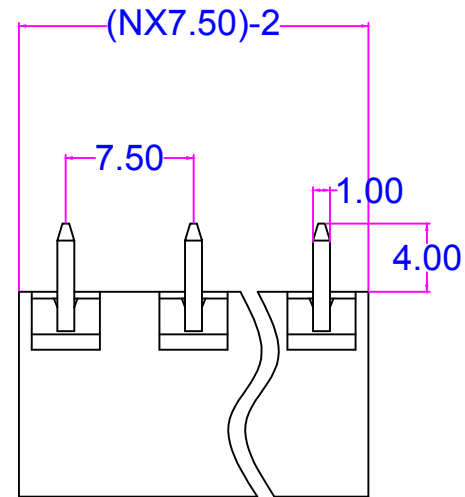
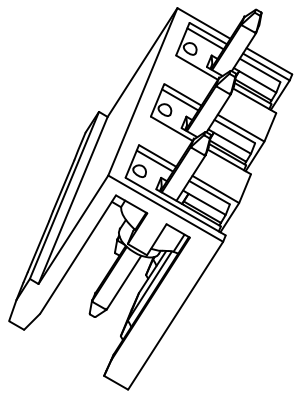


D1RFRD006

| 序号/RevNO | 名称/Title | 文件编号/FileNO |
|----------|--------------|-------------|
| 1 | 2EMGV-7.5 塑件 | |
| 2 | 2EMGV-7.5焊针 | |



| pitch range in mm | | Nominal dimension range in mm | | | | | | — |
|-------------------|---------|-------------------------------|--------|----------|-----------|------------|-------|---------|
| to | over | over | to | over | over | over | over | ⌒ |
| 6 | 6 to 10 | 10 to 24 | 30 | 30 to 60 | 60 to 100 | 100 to 150 | 150 | □ |
| | ± 0.10 | ± 0.15 | ± 0.25 | ± 0.20 | ± 0.30 | ± 0.50 | ± 0.7 | ± 1.0 |
| | | | | | | | | 0.05/10 |

Poles:2P/3P-24P
 Pitch:7.5mm
 Voltage Rating:300V
 Current Rating:15A
 Housing:PA66(UL 94V-0)
 Pin header:Brass,Tin Plated

| | | | | | |
|-----------------|----------------|--|-----------------|---------------------------|-------------|
| 设计/Designed by. | 绘图/Drawing by. | 审核/Checked by. | 批准/Approved by. | 未注公差 General Tolerance | |
| 图名/Title | 文件编号/FileNO | 慈溪市美感电子接插件厂 Cixi Meigan Electric Appliance Socket Factory | | .X ± 0.3 | X° ± 2° |
| 2EMGV-7.5 | 页序/Sheet | | | .XX ± 0.15 | .XX° ± 0.5° |
| 备注/Remark | 视图/PROJECTION | | | 单位/Units:mm | |

| 序号/RevNO | 更改记录/Revision note | 签名/Signature | 日期/Date |
|----------|--------------------|--------------|---------|
| 8 | | | |
| 7 | | | |
| 6 | | | |
| 5 | | | |
| 4 | | | |
| 3 | | | |
| 2 | | | |
| 1 | | | |