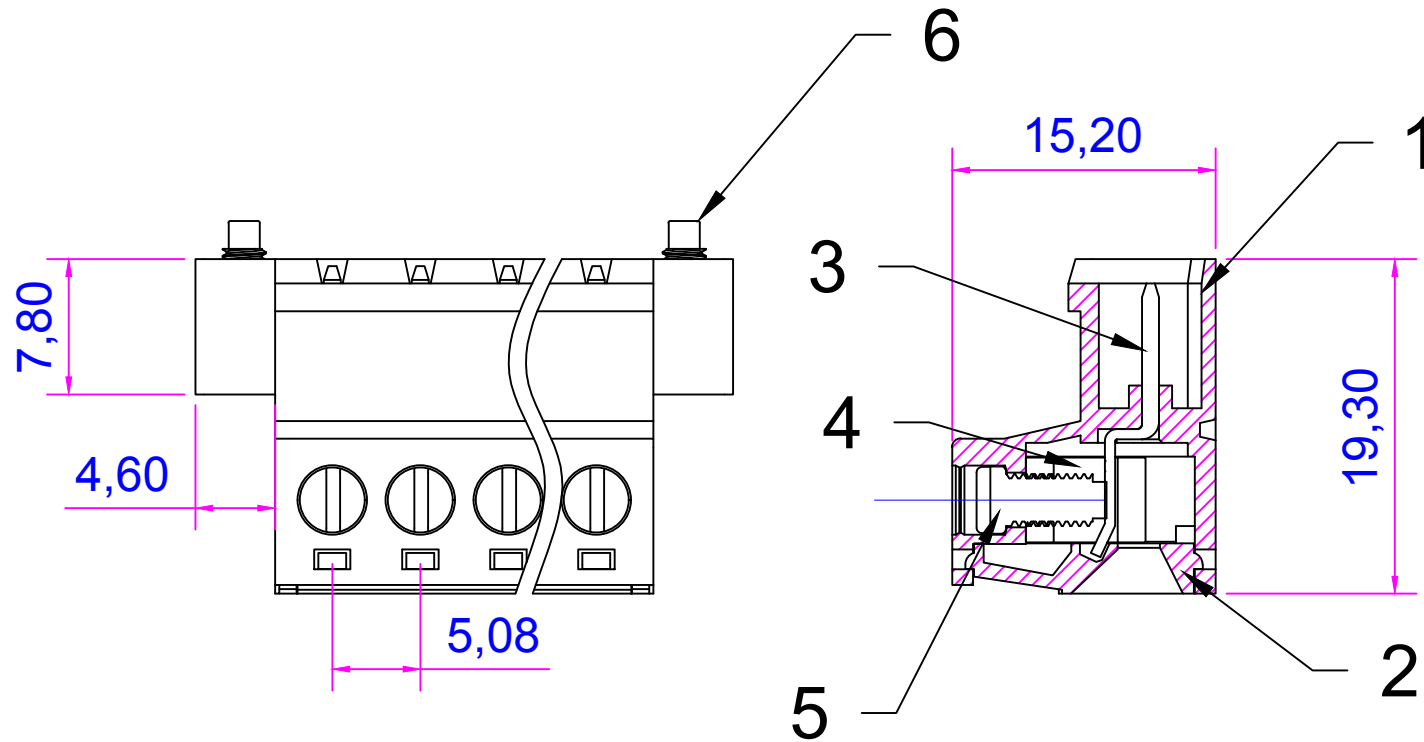
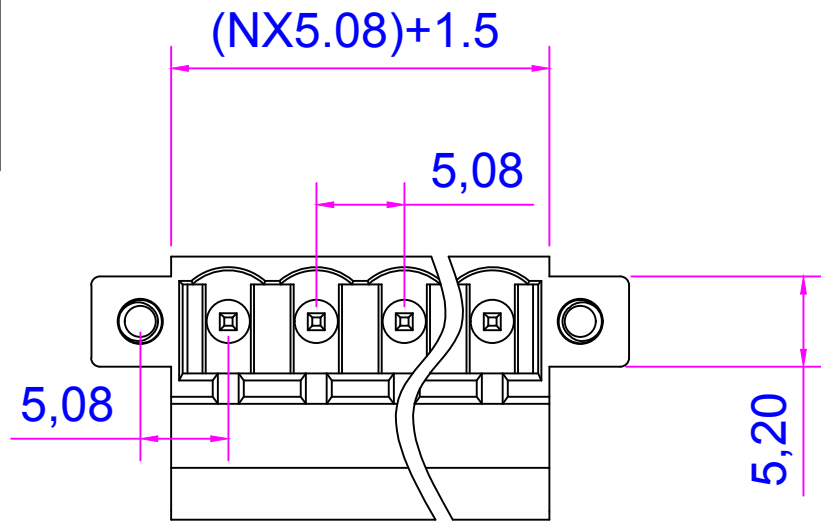


序号/RevNO	名称/Title	文件编号/FileNO
1	2EMGRKM-5.08 塑件1	
2	2EMGRKM-5.08 塑件2	
3	2EMGRKM-5.08 夹子	
4	2EMGRKM-5.08 方扣	
5	2EMGRKM-5.08 一字螺丝1	
6	2EMGRKM-5.08 一字螺丝2	



pitch range in mm		Nominal dimension range in mm						—
to	over	over	to	over	over	over	over	
6	10	24	30	60	100	150	150	
± 0.10	± 0.15	± 0.25	± 0.20	± 0.30	± 0.50	± 0.7	± 1.0	0.05/10

Poles: 2P/3P-24P
 Pitch: 5.08mm
 Voltage Rating: 300V
 Current Rating: 15A
 Wire range: 28-12AWG
 Housing: PA66(UL 94V-0)
 Wire guard: Phosphor bronze, Ni plated
 Pin header: Brass, Tin Plated
 Screw: M3, Steel(Q235), Zinc Plated
 Torque: 0.5N.m

设计/Designed by.	绘图/Drawing by.	审核/Checked by.	批准/Approved by.	未注公差 General Tolerance	
图名/Title	文件编号/FileNO	慈溪市美感电子接插件厂 Cixi Meigan Electric Appliance Socket Factory		.x ± 0.3	.x° ± 2°
2EMGRKM -5.08	页序/Sheet			.xx ± 0.15	.xx° ± 0.5°
备注/Remark	视图/PROJECTION			单位/Units: mm	

序号/RevNO	更改记录/Revision note	签名/Signature	日期/Date
8			
7			
6			
5			
4			
3			
2			
1			