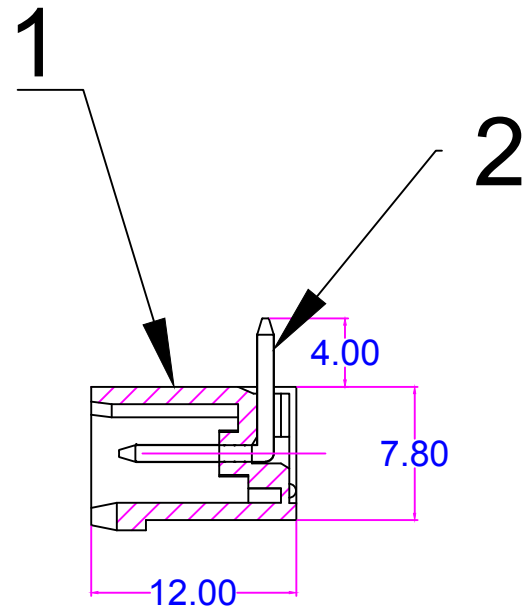
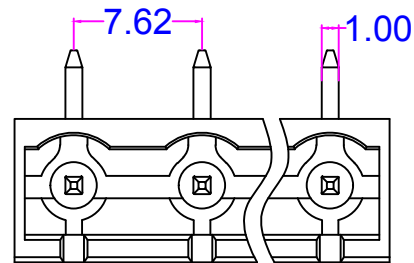
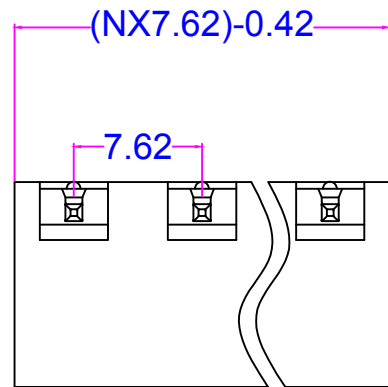
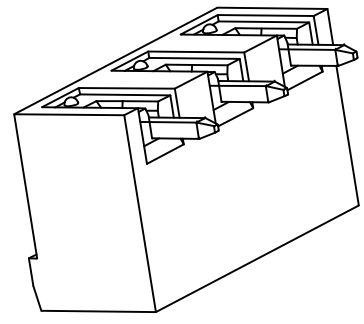


序号/RevNO	名称/Title	文件编号/FileNO
1	2EMGRC-7.62塑件	
2	2EMGRC-7.62焊针	



pitch range in mm			Nominal dimension range in mm					
to	over 6 to 10	over 10 to 24	to	over 30 to 60	over 60 to 100	over 100 to 150	over 150 to	—
6	10	24	30	60	100	150		0.05/10
± 0.10	± 0.15	± 0.25	± 0.20	± 0.30	± 0.50	± 0.7	± 1.0	

Poles:2P/3P-24P  
 Pitch:7.62mm  
 Voltage Rating:300V  
 Current Rating:15A  
 Housing:PA66(UL 94V-0)  
 Pin header:Brass,Tin Plated

设计/Designed by.	绘图/Drawing by.	审核/Checked by.	批准/Approved by.	未注公差 General Tolerance	
图名/Title	文件编号/FileNO	慈溪市美感电子接插件厂 Cixi Meigan Electric Appliance Socket Factory		.X ± 0.3	X° ± 2°
2EMGRC-7.62	页序/Sheet			.XX ± 0.15	.X° ± 1°
备注/Remark	视图/PROJECTION			单位/Units:mm	

序号/RevNO	更改记录/Revision note	签名/Signature	日期/Date
8			
7			
6			

8 | 7 | 6 | 5 | 4 | 3 | 2 | 1