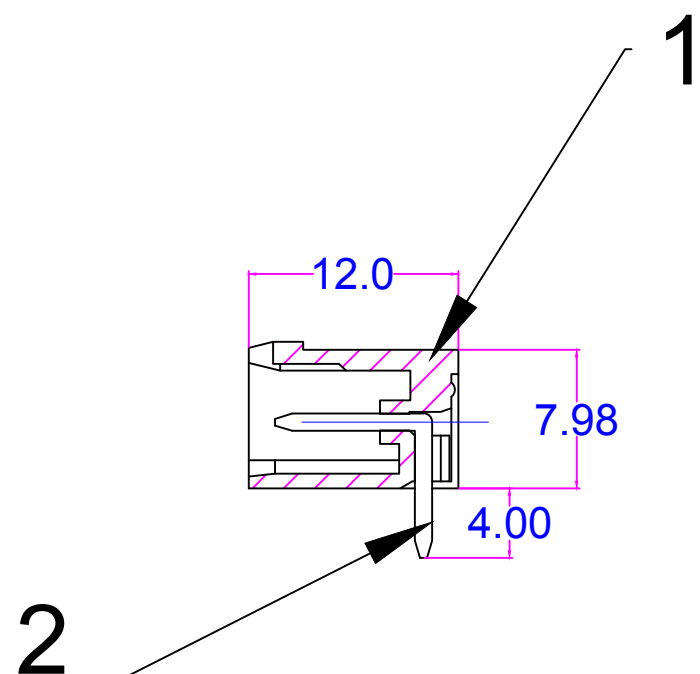
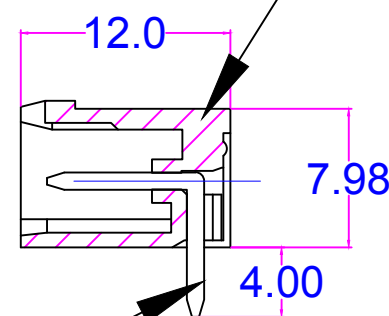
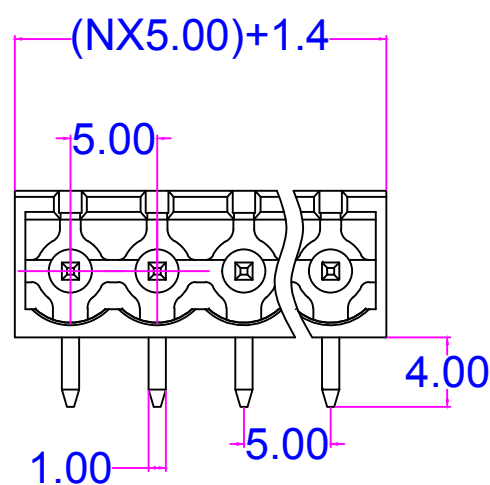


D1RFRD006

| 序号/RevNO | 名称/Title      | 文件编号/FileNO |
|----------|---------------|-------------|
| 1        | 2EMGRC-5.0 塑件 |             |
| 2        | 2EMGRC-5.0 焊针 |             |

| pitch range in mm |         |          | Nominal dimension range in mm |          |           |            |        | —       |
|-------------------|---------|----------|-------------------------------|----------|-----------|------------|--------|---------|
| to                | over    | over     | to                            | over     | over      | over       | over   | ⤿       |
| 6                 | 6 to 10 | 10 to 24 | 30                            | 30 to 60 | 60 to 100 | 100 to 150 | 150 to | □       |
|                   | ± 0.10  | ± 0.15   | ± 0.25                        | ± 0.20   | ± 0.30    | ± 0.50     | ± 0.7  | ± 1.0   |
|                   |         |          |                               |          |           |            |        | 0.05/10 |



Poles:2P/3P-24P  
 Pitch:5.0mm  
 Voltage Rating:300V  
 Current Rating:15A  
 Housing:PA66(UL 94V-0)  
 Pin header:Brass,Tin Plated

|                 |                |  |                 |                           |             |
|-----------------|----------------|--|-----------------|---------------------------|-------------|
| 设计/Designed by. | 绘图/Drawing by. | 审核/Checked by.   | 批准/Approved by. | 未注公差<br>General Tolerance |             |
| 图名/Title        | 文件编号/FileNO    | 慈溪市美感电子接插件厂<br>Cixi Meigan Electric Appliance Socket Factory |                 | .X ± 0.3                  | X° ± 2°     |
| 2EMGRC-5.0      | 页序/Sheet       |  |                 | .XX ± 0.15                | .XX° ± 0.5° |
| 备注/Remark       | 视图/PROJECTION  |  |                 | 单位/Units:mm               |             |

| 序号/RevNO | 更改记录/Revision note | 签名/Signature | 日期/Date |
|----------|--------------------|--------------|---------|
| 8        |                    |              |         |
| 7        |                    |              |         |
| 6        |                    |              |         |
| 5        |                    |              |         |
| 4        |                    |              |         |
| 3        |                    |              |         |
| 2        |                    |              |         |
| 1        |                    |              |         |