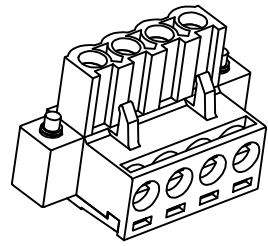
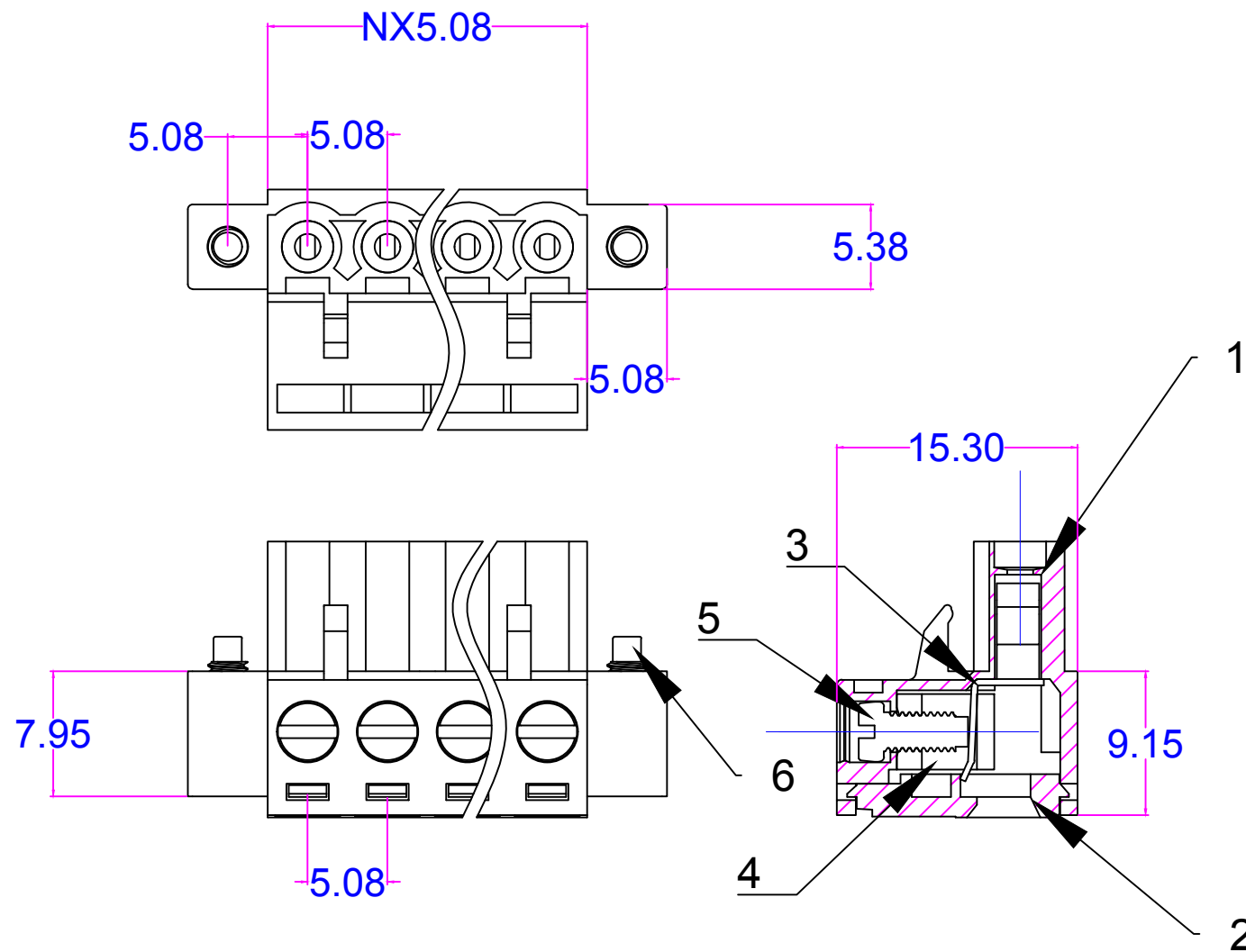


D1RFRD006



序号/RevNO	名称/Title	文件编号/FileNO
1	2EMGKM-5.08 塑件1	
2	2EMGKM-5.08 塑件2	
3	2EMGKM-5.08 夹子	
4	2EMGKM-5.08 方扣	
5	2EMGKM-5.08 一字螺丝1	
6	2EMGKM-5.08 一字螺丝2	



pitch range in mm			Nominal dimension range in mm					—
to	over 6 to	over 10 to	to	over 30 to	over 60 to	over 100 to	over 150 to	⌒
6	10	24	30	60	100	150		□
±0.10	±0.15	±0.25	±0.20	±0.30	±0.50	±0.7	±1.0	0.05/10

Poles:2P/3P-24P  
 Pitch:5.08mm  
 Voltage Rating:300V  
 Current Rating:15A  
 Wire range:28-12AWG  
 Housing:PA66(UL 94V-0)  
 Wire guard:Phosphor bronze,Ni plated  
 Pin header:Brass,Tin Plated  
 Screw:M2.5,Steel(Q235),Zinc Plated  
 Torque:0.5N.m

单位/mm	2P	3P	4P	5P	6P	7P	8P	9P	10P	11P	12P	
	20.32	25.40	30.48	35.56	40.64	45.72	50.8	55.88	60.96	66.04	71.12	
	13P	14P	15P	16P	17P	18P	19P	20P	21P	22P	23P	24P
	76.2	81.28	86.36	91.44	96.52	101.6	106.68	111.76	116.84	121.92	127.0	132.08

设计/Designed by.	绘图/Drawing by.	审核/Checked by.	批准/Approved by.	未注公差 General Tolerance	
图名/Title	文件编号/FileNO	慈溪市美感电子接插件厂 Cixi Meigan Electric Appliance Socket Factory		.x ± 0.3	x° ± 2°
2EMGKM-5.08	页序/Sheet			.xx ± 0.15	.xx° ± 1°
备注/Remark	视图/PROJECTION		单位/Units:mm		.xx° ± 0.5°

序号/RevNO	更改记录/Revision note	签名/Signature	日期/Date
8			
7			
6			
5			
4			
3			
2			
1			