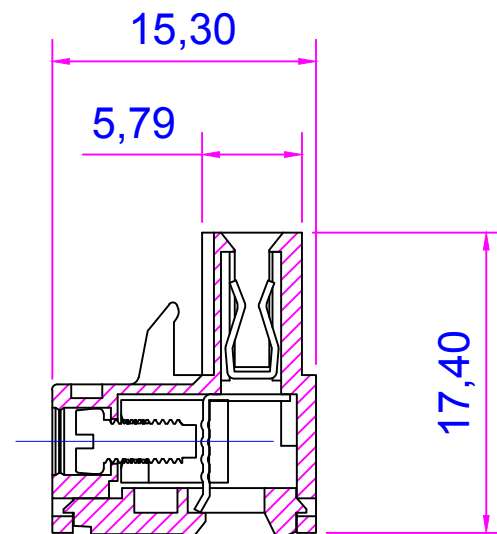
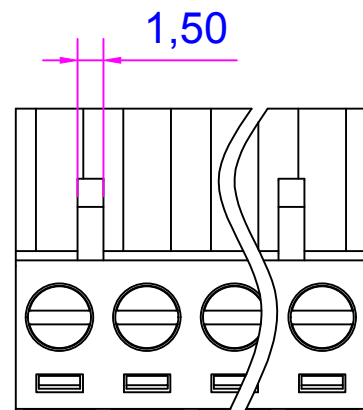
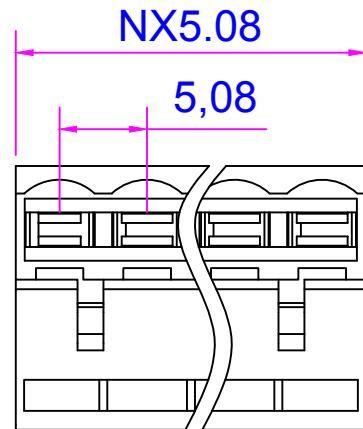


序号/RevNO	名称/Title	文件编号/FileNO
1	2EMGKK-5.08 塑件1	
2	2EMGKK-5.08 塑件2	
3	2EMGKK-5.08夹子	
4	2EMGKK-5.08方扣	
5	2EMGKK-5.08 一字螺丝	



pitch range in mm			Nominal dimension range in mm					—
	over 6	over 10		over 30	over 60	over 100	over 150	∩
to 6	to 10	to 24	to 30	to 60	to 100	to 150		□
± 0.10	± 0.15	± 0.25	± 0.20	± 0.30	± 0.50	± 0.7	± 1.0	0.05/10

Poles:2P/3P-24P
 Pitch:5.08mm
 Voltage Rating:300V
 Current Rating:15A
 Wire range:28-12AWG
 Housing:PA66(UL 94V-0)
 Wire guard:Phosphor bronze,Ni plated
 Pin header:Brass,Tin Plated
 Screw:M2.5,Steel(Q235),Zinc Plated
 Torque:0.5N.m

设计/Designed by.	绘图/Drawing by.	审核/Checked by.	批准/Approved by.	未注公差 General Tolerance	
图名/Title	文件编号/FileNO	慈溪市美感电子接插件厂 Cixi Meigan Electric Appliance Socket Factory		.X ± 0.3	X° ± 2°
2EMGKK-5.08	页序/Sheet			.XX ± 0.15	.XX° ± 0.5°
备注/Remark	视图/PROJECTION			单位/Units:mm	

序号/RevNO	更改记录/Revision note	签名/Signature	日期/Date
8			
7			
6			
5			
4			
3			
2			
1			