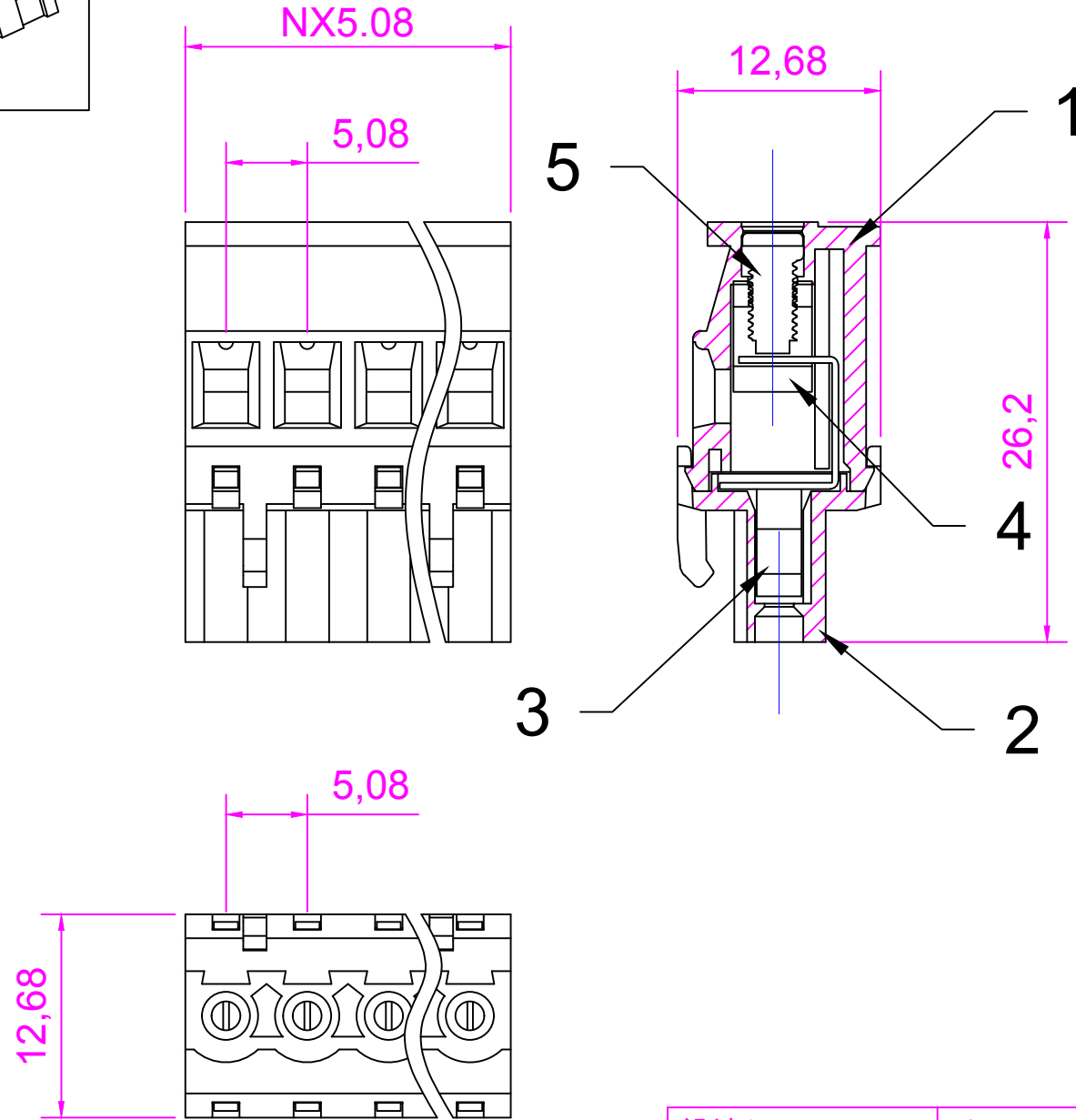
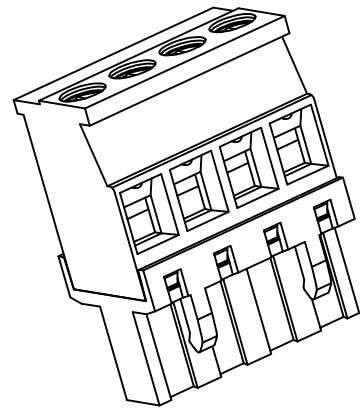


序号/RevNO	名称/Title	文件编号/FileNO
1	2EMGKA-5.08塑件1	
2	2EMGKA-5.08塑件2	
3	2EMGKA-5.08夹子	
4	2EMGKA-5.08方扣	
5	2EMGKA-5.08一字螺丝	



pitch range in mm		Nominal dimension range in mm						—
	over 6 to 6	over 10 to 24	to 30	over 30 to 60	over 60 to 100	over 100 to 150	over 150 to	∩ □
	± 0.10	± 0.15	± 0.25	± 0.20	± 0.30	± 0.50	± 0.7	± 1.0
								0.05/10

Poles:2P/3P-24P  
 Pitch:5.08mm  
 Voltage Rating:300V  
 Current Rating:15A  
 Wire range:28-12AWG  
 Housing:PA66(UL 94V-0)  
 Wire guard:Phosphor bronze,Ni plated  
 Pin header:Brass,Tin Plated  
 Screw:M3,Steel(Q235),Zinc Plated  
 Torque:0.5N.m

设计/Designed by.	绘图/Drawing by.	审核/Checked by.	批准/Approved by.	未注公差 General Tolerance	
图名/Title	文件编号/FileNO	慈溪市美感电子接插件厂 Cixi Meigan Electric Appliance Socket Factory		. X ± 0.3	. X' ± 2°
2EMGKA-5.08	页序/Sheet			. XX ± 0.15	. XX' ± 0.5°
备注/Remark	视图/PROJECTION			单位/Units:mm	

序号/RevNO	更改记录/Revision note	签名/Signature	日期/Date
8			
7			
6			
5			
4			
3			
2			
1			