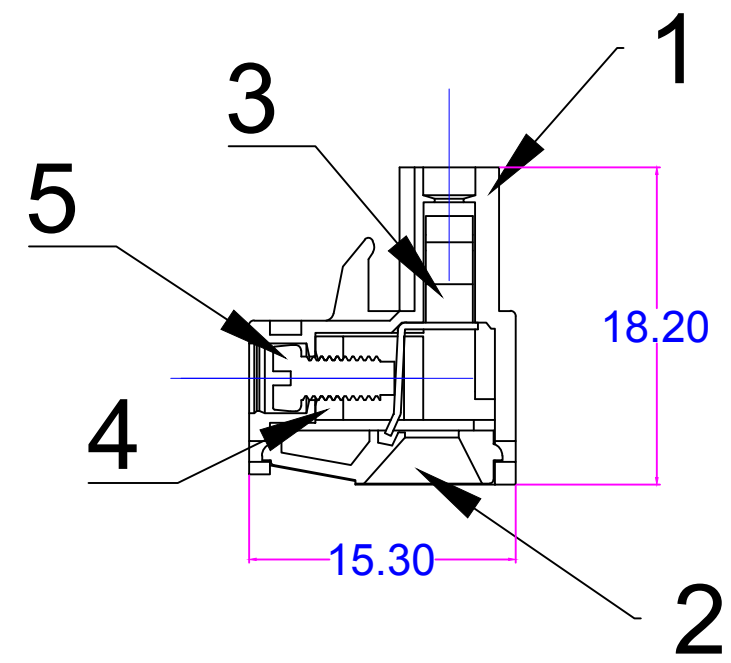
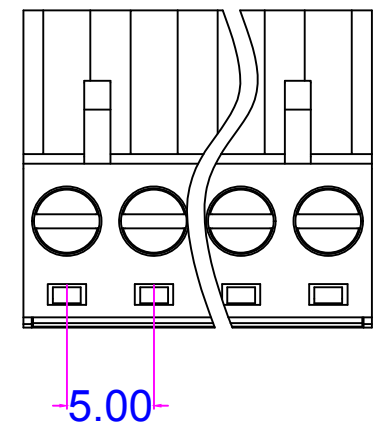
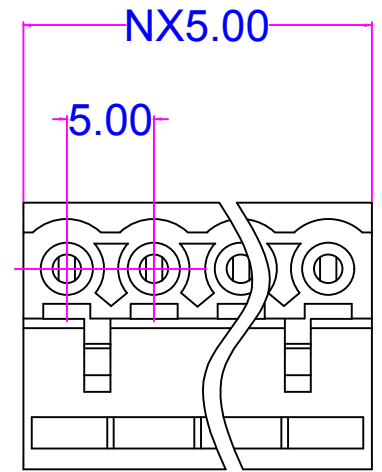
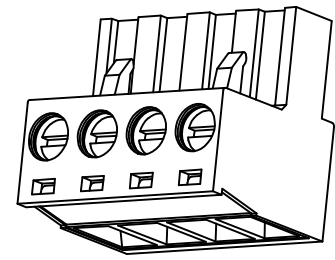


序号/RevNO	名称/Title	文件编号/FileNO
1	2EMGK-5.0 塑件1	
2	2EMGK-5.0 塑件2	
3	2EMGK-5.0夹子	
4	2EMGK-5.0方扣	
5	2EMGK-5.0一字螺丝	



pitch range in mm			Nominal dimension range in mm					—
	over 6	over 10		over 30	over 60	over 100	over 150	∩
to	to	to	to	to	to	to	to	□
6	10	24	30	60	100	150		
±0.10	±0.15	±0.25	±0.20	±0.30	±0.50	±0.7	±1.0	0.05/10

Poles:2P/3P-24P
 Pitch:5.0mm
 Voltage Rating:300V
 Current Rating:15A
 Wire range:28-12AWG
 Housing:PA66(UL 94V-0)
 Wire guard:Phosphor bronze,Ni plated
 Pin header:Brass,Tin Plated
 Screw:M2.5,Steel(Q235),Zinc Plated
 Torque:0.5N.m

设计/Designed by.	绘图/Drawing by.	审核/Checked by.	批准/Approved by.	未注公差 General Tolerance	
				.x ± 0.3	x° ± 2°
图名/Title	文件编号/FileNO	慈溪市美感电子接插件厂 Cixi Meigan Electric Appliance Socket Factory		.x' ± 1°	.xx ± 0.15
2EMGK-5.0	页序/Sheet			.xx' ± 0.5°	
备注/Remark	视图/PROJECTION			单位/Units:mm	

序号/RevNO	更改记录/Revision note	签名/Signature	日期/Date
----------	--------------------	--------------	---------