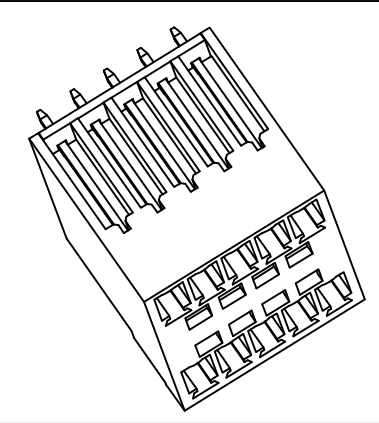
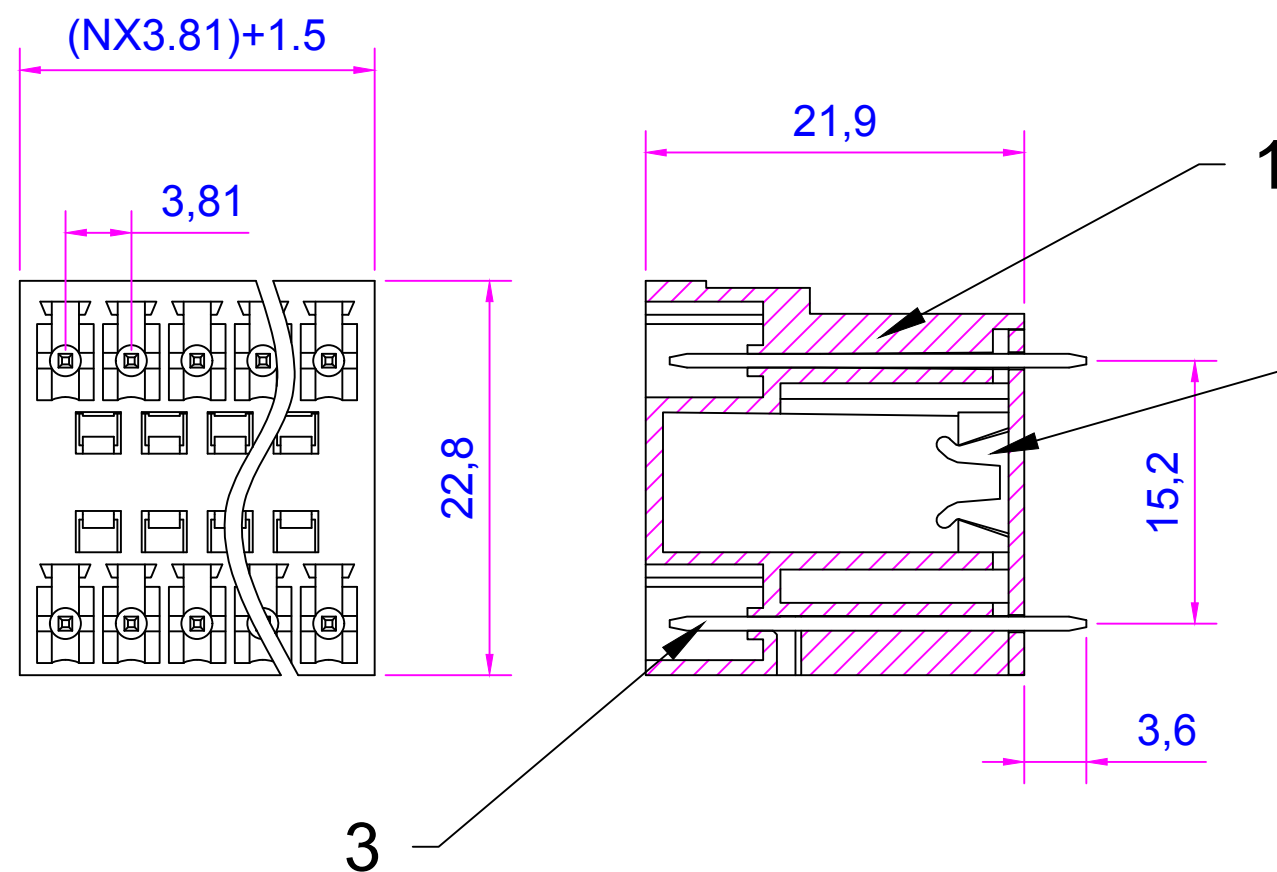


D1RFRD006



| 序号/RevNO | 名称/Title         | 文件编号/FileNO |
|----------|------------------|-------------|
| 1        | 15EMGVH-3.81 塑件1 |             |
| 2        | 15EMGVH-3.81 塑件2 |             |
| 3        | 15EMGVH-3.81焊针   |             |

| pitch range in mm |        |        | Nominal dimension range in mm |        |        |       |       | —       |
|-------------------|--------|--------|-------------------------------|--------|--------|-------|-------|---------|
| to                | over   | over   | to                            | over   | over   | over  | over  | ⌒       |
| 6                 | 10     | 10     | 30                            | 30     | 60     | 100   | 150   | □       |
| ± 0.10            | ± 0.15 | ± 0.25 | ± 0.20                        | ± 0.30 | ± 0.50 | ± 0.7 | ± 1.0 | 0.05/10 |



Poles:2P/3P-24P  
 Pitch:3.81mm  
 Voltage Rating:300V  
 Current Rating:8A  
 Housing:PA66(UL 94V-0)  
 Pin header:Brass,Tin Plated

|                  |                |  |                 |                           |          |
|------------------|----------------|--|-----------------|---------------------------|----------|
| 设计/Designed by.  | 绘图/Drawing by. | 审核/Checked by.   | 批准/Approved by. | 未注公差<br>General Tolerance |          |
| 图名/Title         | 文件编号/FileNO    | 慈溪市美感电子接插件厂<br>Cixi Meigan Electric Appliance Socket Factory |                 | .x ± 0.3                  | x° ± 2°  |
| 15EMGVH<br>-3.81 | 页序/Sheet       |  |                 | .xx ± 0.15                | .x° ± 1° |
| 备注/Remark        | 视图/PROJECTION  |  |                 | 单位/Units:mm               |          |

| 序号/RevNO | 更改记录/Revision note | 签名/Signature | 日期/Date |
|----------|--------------------|--------------|---------|
| 8        |                    |              |         |
| 7        |                    |              |         |
| 6        |                    |              |         |
| 5        |                    |              |         |
| 4        |                    |              |         |
| 3        |                    |              |         |
| 2        |                    |              |         |
| 1        |                    |              |         |