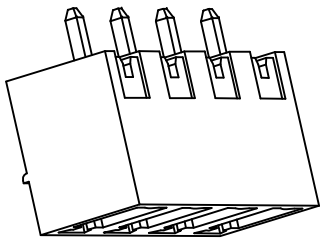
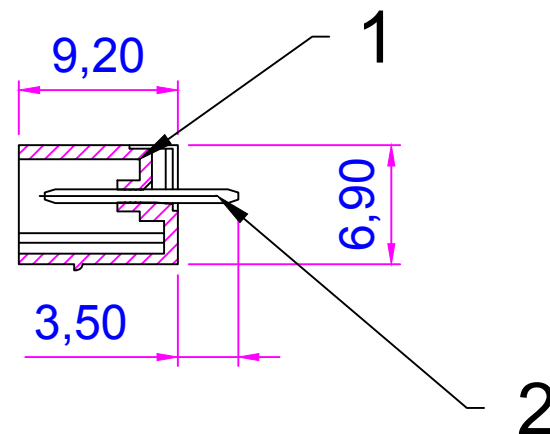
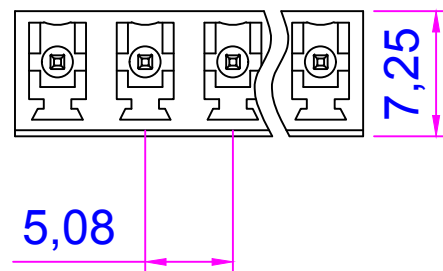
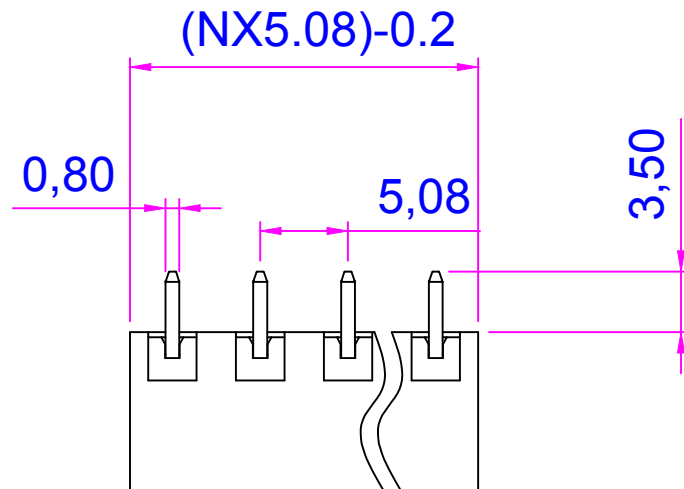


D1RFRD006



| 序号/RevNO | 名称/Title | 文件编号/FileNO |
|----------|-----------------|-------------|
| 1 | 15EMGVC-5.08 塑件 | |
| 2 | 15EMGVC-5.08焊针 | |



| pitch range in mm | | | Nominal dimension range in mm | | | | | — |
|-------------------|--------|---------|-------------------------------|---------|---------|----------|----------|---------|
| | over 6 | over 10 | | over 30 | over 60 | over 100 | over 150 | ⤿ |
| to 6 | to 10 | to 24 | to 30 | to 60 | to 100 | to 150 | | ▭ |
| ± 0.10 | ± 0.15 | ± 0.25 | ± 0.20 | ± 0.30 | ± 0.50 | ± 0.7 | ± 1.0 | 0.05/10 |

Poles:2P/3P-24P
 Pitch:5.08mm
 Voltage Rating:300V
 Current Rating:8A
 Housing:PA66(UL 94V-0)
 Pin header:Brass,Tin Plated

| | | | | | |
|-----------------|----------------|--|-----------------|---------------------------|----------|
| 设计/Designed by. | 绘图/Drawing by. | 审核/Checked by. | 批准/Approved by. | 未注公差 General Tolerance | |
| 图名/Title | 文件编号/FileNO | 慈溪市美感电子接插件厂 Cixi Meigan Electric Appliance Socket Factory | | .x ± 0.3 | x° ± 2° |
| 15EMGVC-5.08 | 页序/Sheet | | | .xx ± 0.15 | .x° ± 1° |
| 备注/Remark | 视图/PROJECTION | | | 单位/Units:mm | |

| | | | |
|----------|--------------------|--------------|---------|
| 序号/RevNO | 更改记录/Revision note | 签名/Signature | 日期/Date |
|----------|--------------------|--------------|---------|

8

7

6

5

4

3

2

1

H

G

F

E

D

C

B

A