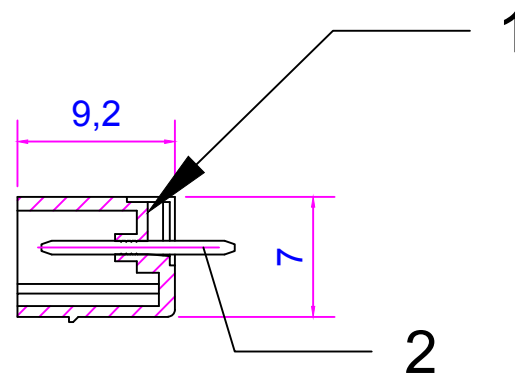
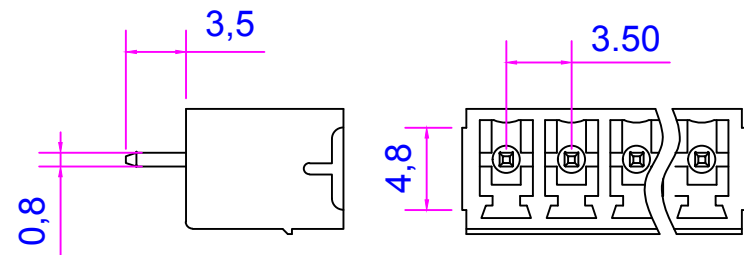
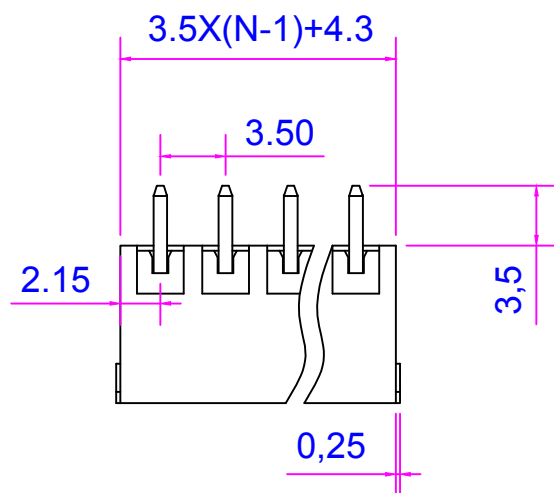
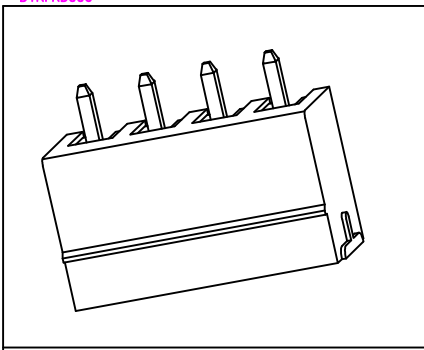


D1RFRD006

序号/RevNO	名称/Title	文件编号/FileNO
1	15EMGVC-3.5 塑件	
2	15EMGVC-3.5焊针	



pitch range in mm		Nominal dimension range in mm						—
to	over	to	to	to	to	to	to	—
6	6	10	10	30	30	60	60	0.05/10
	10	24	30	60	100	150	150	
	± 0.10	± 0.15	± 0.25	± 0.20	± 0.30	± 0.50	± 0.7	± 1.0

Poles: 2P/3P-24P
 Pitch: 3.5mm
 Voltage Rating: 300V
 Current Rating: 8A
 Housing: PA66(UL 94V-0)
 Pin header: Brass, Tin Plated

设计/Designed by.	绘图/Drawing by.	审核/Checked by.	批准/Approved by.	未注公差 General Tolerance	
				.x ± 0.3	x° ± 2°
图名/Title	文件编号/FileNO	慈溪市美感电子接插件厂 Cixi Meigan Electric Appliance Socket Factory		.xx ± 0.15	.xx° ± 0.5°
15EMGVC -3.50	页序/Sheet				
备注/Remark	视图/PROJECTION			单位/Units: mm	

序号/RevNO	更改记录/Revision note	签名/Signature	日期/Date
8			
7			
6			
5			
4			
3			
2			
1			