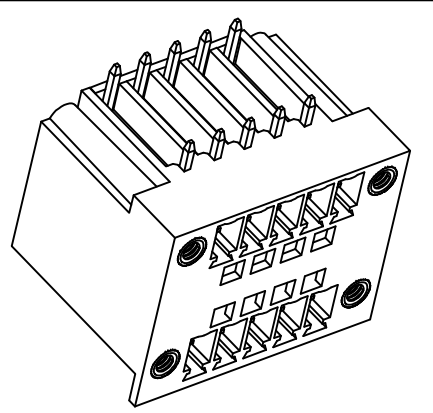
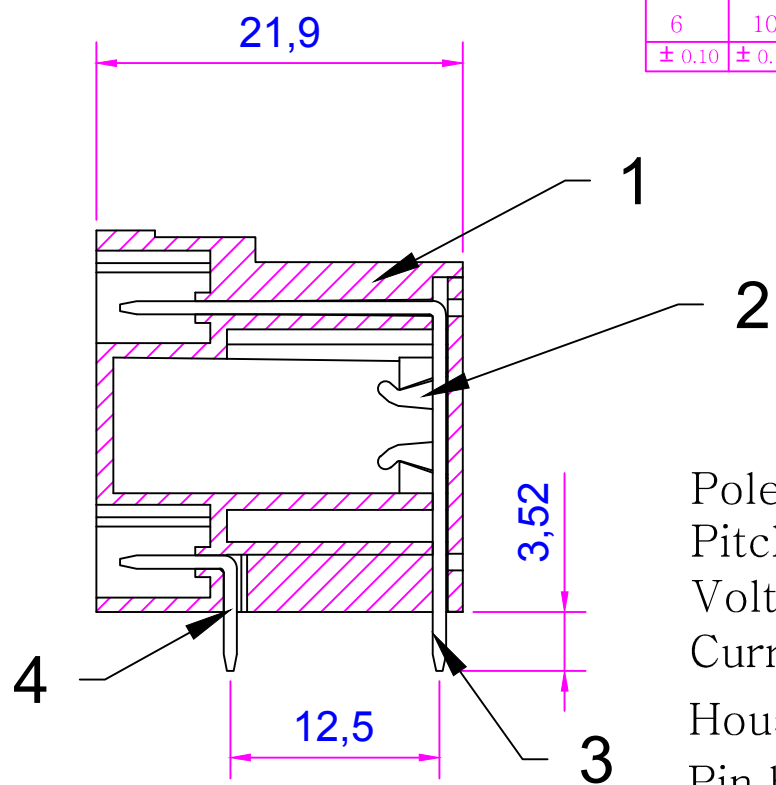
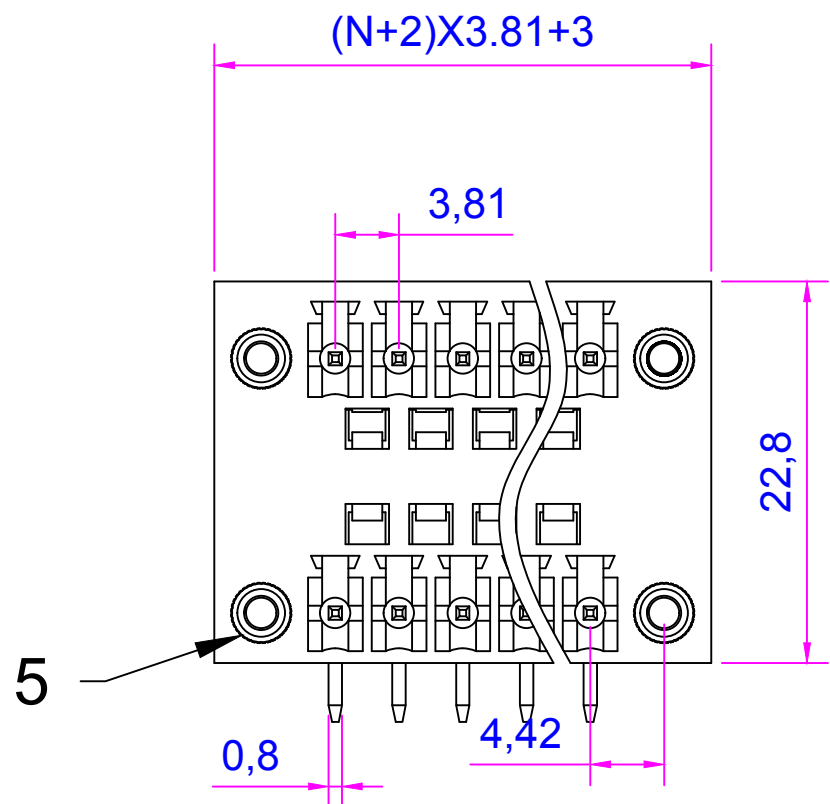


D1RFRD006



序号/RevNO	名称/Title	文件编号/FileNO
1	15EMGRHM-3.81 塑件1	
2	15EMGRHM-3.81 塑件2	
3	15EMGRHM-3.81 焊针1	
4	15EMGRHM-3.81 焊针2	
5	15EMGRHM-3.81 螺帽	

pitch range in mm			Nominal dimension range in mm					—
to	over 6 to	over 10 to	to	over 30 to	over 60 to	over 100 to	over 150 to	⌒
6	10	24	30	60	100	150		□
± 0.10	± 0.15	± 0.25	± 0.20	± 0.30	± 0.50	± 0.7	± 1.0	0.05/10



Poles:2P/3P-24P  
 Pitch:3.81mm  
 Voltage Rating:300V  
 Current Rating:8A  
 Housing:PA66(UL 94V-0)  
 Pin header:Brass,Tin Plated

设计/Designed by.	绘图/Drawing by.	审核/Checked by.	批准/Approved by.	未注公差 General Tolerance	
					X <sup>o</sup> ± 2°
图名/Title	文件编号/FileNO	慈溪市美感电子接插件厂 Cixi Meigan Electric Appliance Socket Factory		.X ± 0.3	.X <sup>o</sup> ± 1°
15EMGRHM-3.81	页序/Sheet			.XX ± 0.15	.XX <sup>o</sup> ± 0.5°
备注/Remark		视图/PROJECTION		单位/Units:mm	

序号/RevNO	更改记录/Revision note	签名/Signature	日期/Date
8			
7			
6			

8 | 7 | 6 | 5 | 4 | 3 | 2 | 1